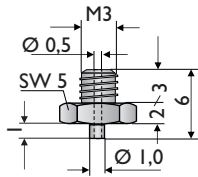
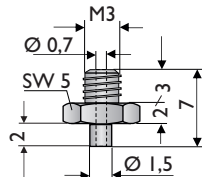


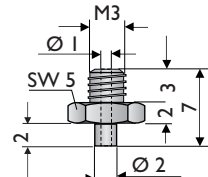
Art. No.: AT.0626  
AG M3



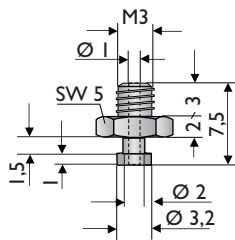
Art. No.: AT.0611  
AG M3



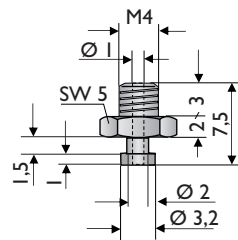
Art. No.: AT.0625  
AG M3



Art. No.: AT.0614  
AG M3

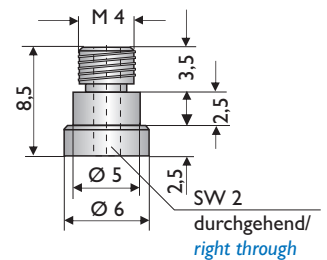


Art. No.: AT.0111  
AG M4

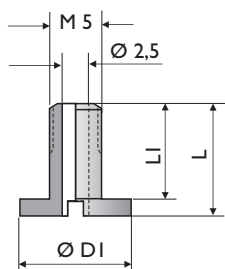


Art. No.: AT.0039  
AG M4

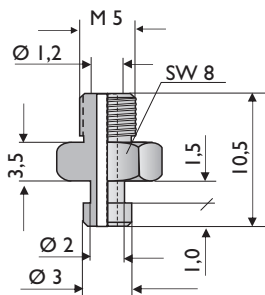
Material:  
Messing vernickelt/  
*Nickled brass*



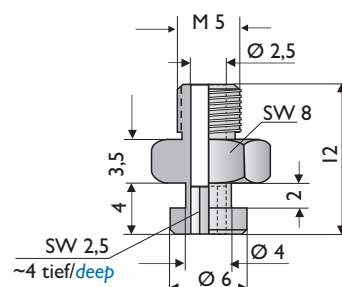
Art. No.:	DI	L	LI
AT.0310 - AG M5	8	9	7
AT.0311 - AG M5	11	11	9



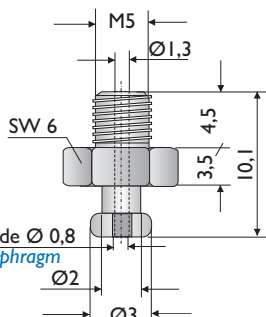
Art. No.: AT.0300  
AG M5



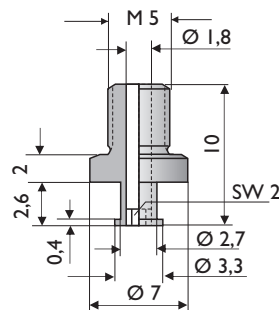
Art. No.: AT.0536  
AG M5



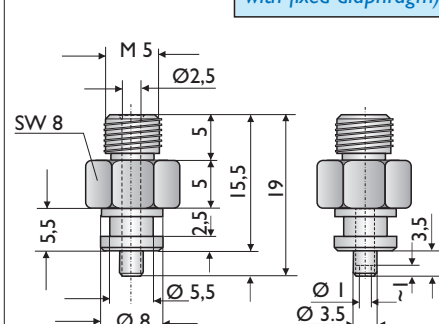
Art. No.: AT.0300-08  
AG M5



Art. No.: AT.0283  
AG M5

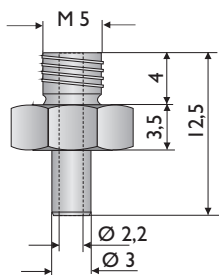


Art. No.: AT.0137  
AG M5

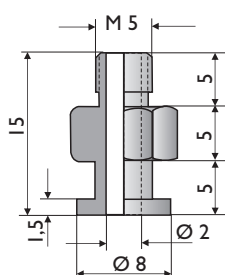


Art. No.: AT.0137-I  
(mit Festblende/  
with fixed diaphragm)

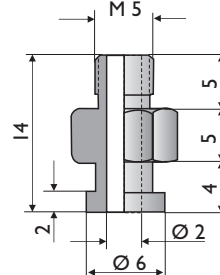
Art. No.: AT.0606  
AG M5



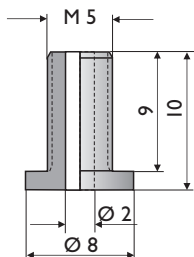
Art. No.: 00 08 236  
AG M5



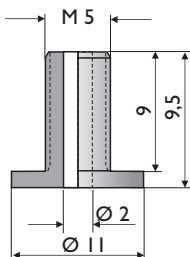
Art. No.: 00 08 237  
AG M5



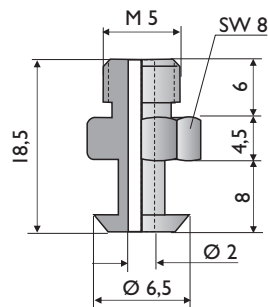
Art. No.: 00 08 241  
AG M5



Art. No.: 00 08 242  
AG M5



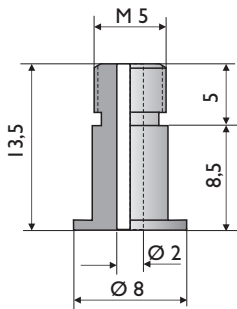
Art. No.: 00 08 245  
AG M5



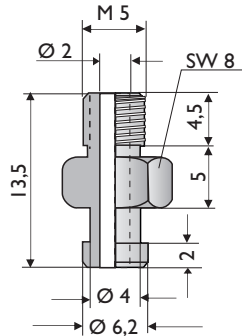
Änderungen im Sinne des technischen Fortschrittes vorbehalten. Copyright by MF Automation.

Specifications and design subject to change without notice. Infringements will be prosecuted

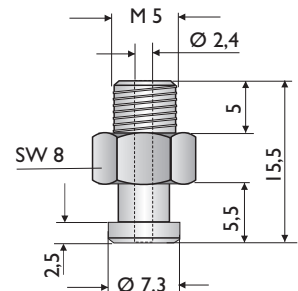
Art. No.: 00 08 249  
 AG M5



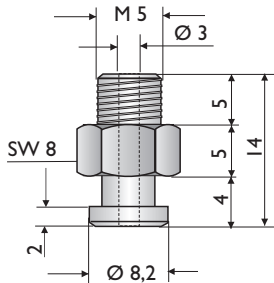
Art. No.: AT.0650  
 AG M5



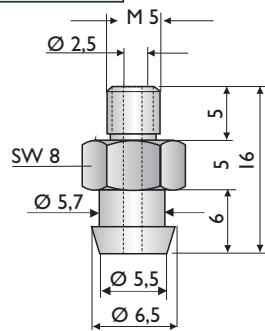
Art. No.: AT.0094  
 AG M5



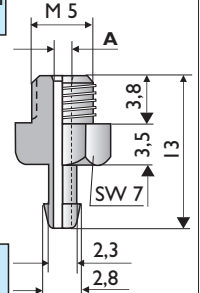
Art. No.: AT.0200  
 AG M5



Art. No.: AT.0613  
 AG M5 - Alu blank

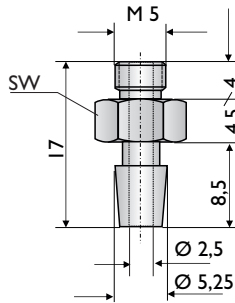


Art. No.: AT.0153.GR -AG M5  
 Saugbohrung **A** = 1,6 mm  
 Suction hole **A** = 1,6 mm

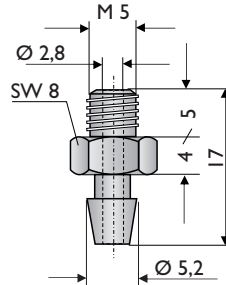


Art. No.: AT.0153.MSV - AG M5  
 Saugbohrung **A** = 1,4 mm  
 Suction hole **A** = 1,4 mm

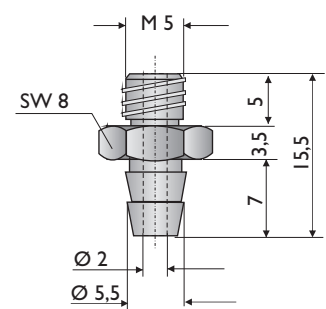
Art. No.: 00 08 06  
 AG M5



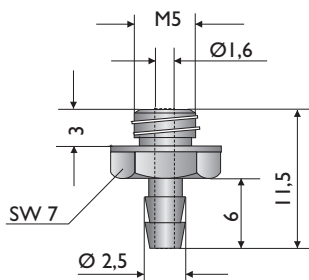
Art. No.: AT.0134  
 AG M5



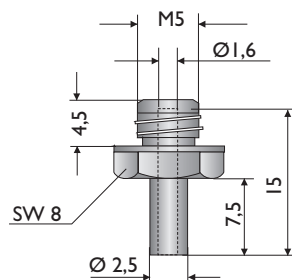
Art. No.: AT.0624  
 AG M5



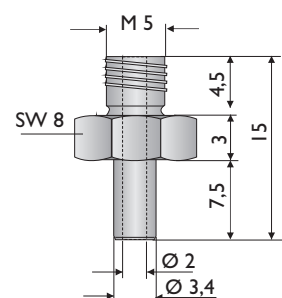
Art. No.: AT.0701  
 AG M5



Art. No.: AT.0701/29  
 AG M5

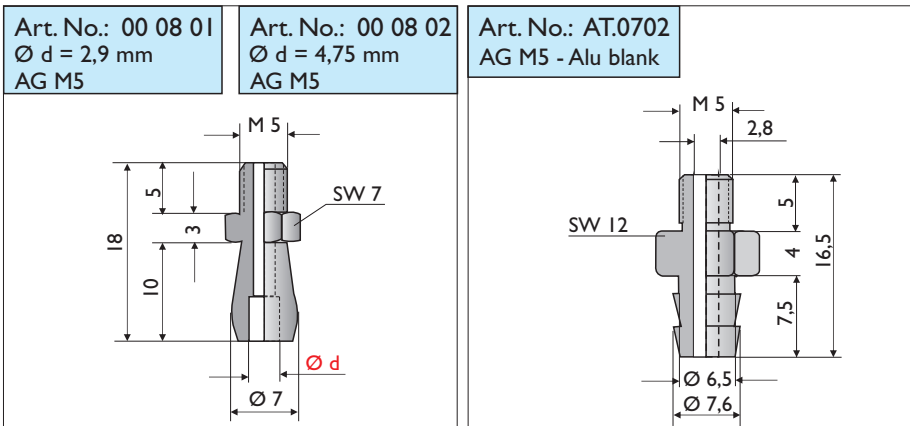


Art. No.: AT.0022  
 AG M5

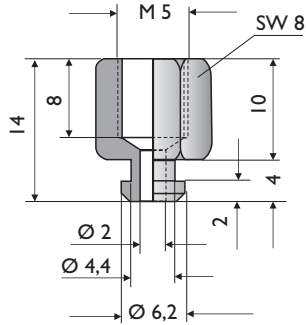


Änderungen im Sinne des technischen Fortschrittes vorbehalten. Copyright by MF Automation.

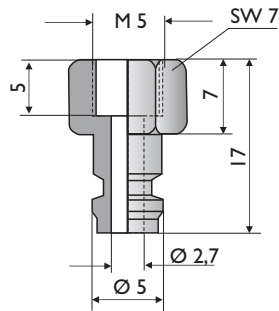
Specifications and design subject to change without notice. Infringements will be prosecuted



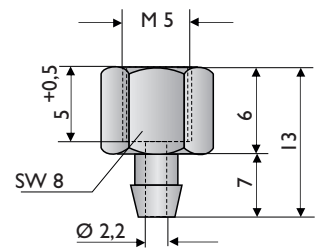
Art. No.: AT.0005  
 IG M5



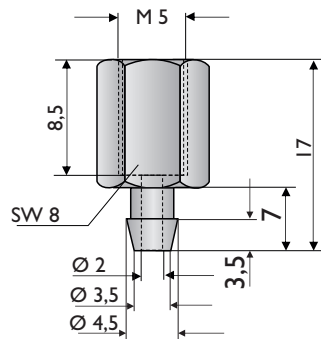
Art. No.: AT.0239  
 IG M5



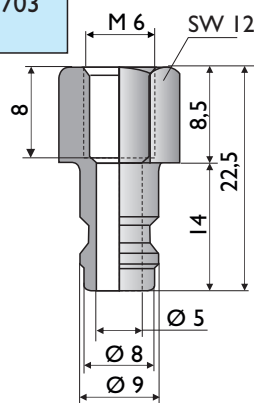
Art. No.: AT.0705  
 IG M5 - MS



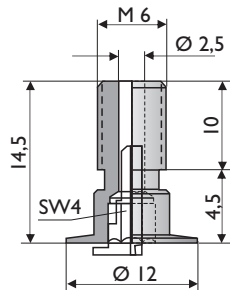
Art. No.: AT.0347  
 IG M5



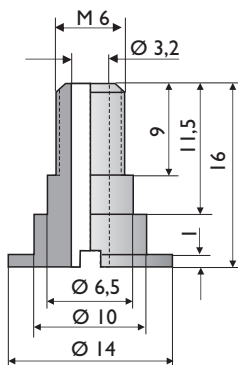
Art. No.: AT.0703  
 IG M6



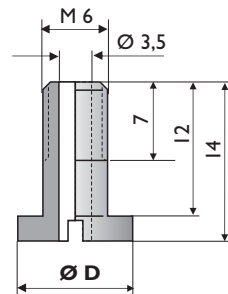
Art. No.: 00 08 08  
 AG M6, MS vernickelt  
*Brass nickel plated*



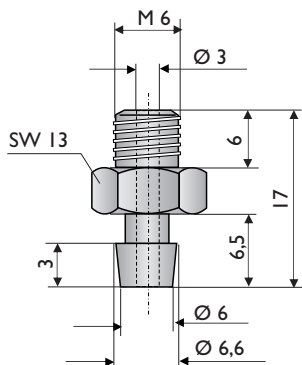
Art. No.: AT.0253  
 AG M6



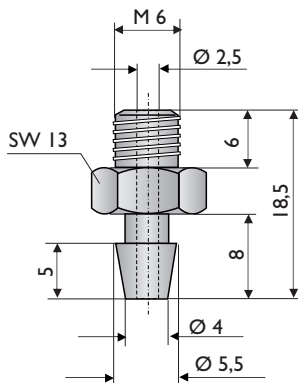
Art. No.: AT.0312.MSV - Ø D = 10 mm  
 AG M6 AT.0312.Alu - Ø D = 11 mm



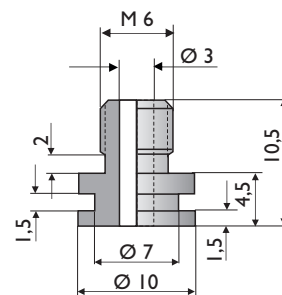
Art. No.: AT.0103  
 AG M6  
 Material Alu



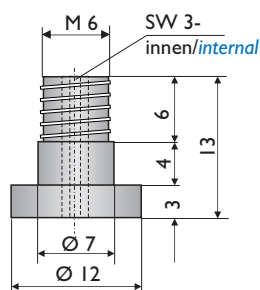
Art. No.: AT.0104  
 AG M6  
 Material Alu



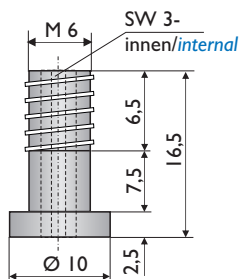
Art. No.: AT.0105  
 AG M6



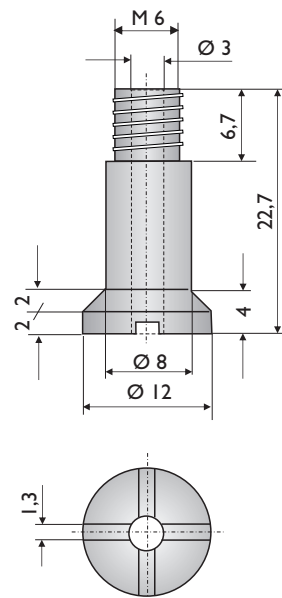
Art. No.: AT.0036  
 AG M6



Art. No.: AT.0057  
 AG M6



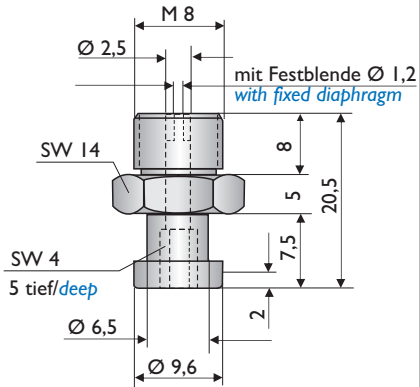
Art. No.: AT.0601  
 AG M6  
 Edestahl/stainless steel



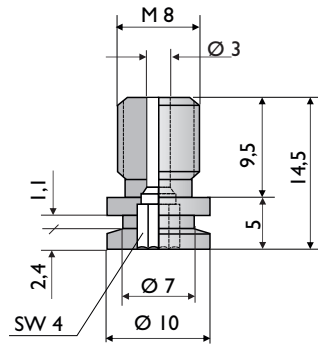
Änderungen im Sinne des technischen Fortschrittes vorbehalten. Copyright by MF Automation.

Specifications and design subject to change without notice. Infringements will be prosecuted

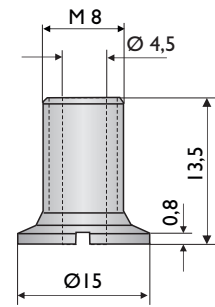
Art. No.: AT.0001-2  
 AG M 8



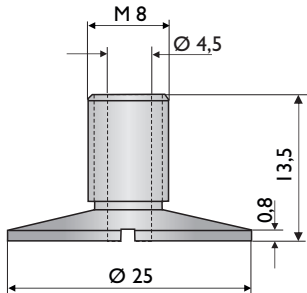
Art. No.: 00 08 07  
 AG M 8



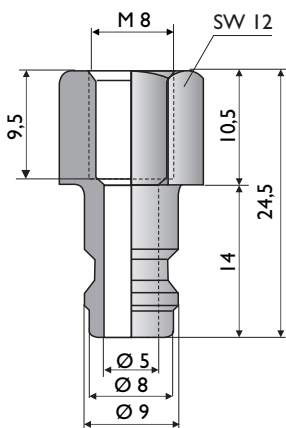
Art. No.: 00 20 14  
 AG M 8



Art. No.: 00 20 13  
 AG M 8



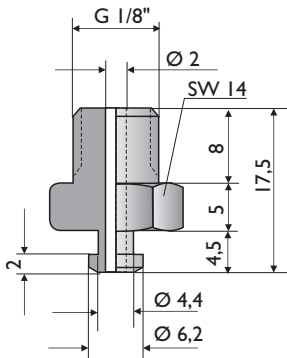
Art. No.: AT.0704  
 IG M 8



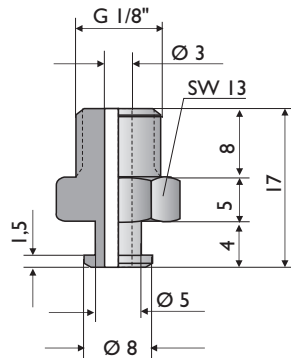
Änderungen im Sinne des technischen Fortschrittes vorbehalten. Copyright by MF Automation.

Specifications and design subject to change without notice. Infringements will be prosecuted

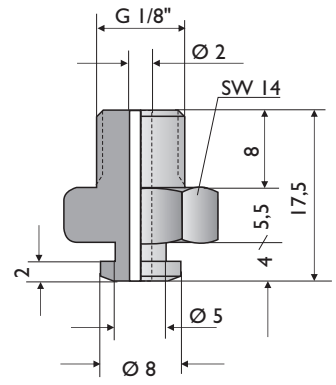
Art. No.: AT.0009  
 AG 1/8"



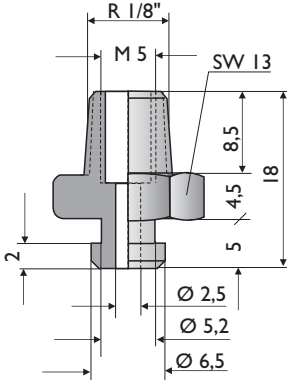
Art. No.: AT.0064  
 AG 1/8"



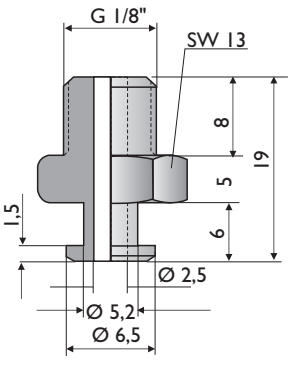
Art. No.: AT.0021  
 AG 1/8"



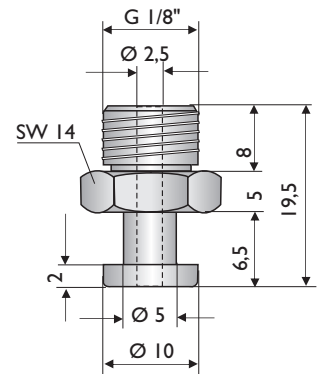
Art. No.: AT.0188  
 AG R 1/8"  
 Material POM



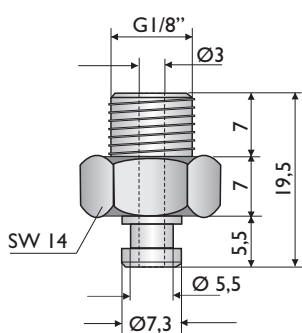
Art. No.: AT.0063  
 AG 1/8"



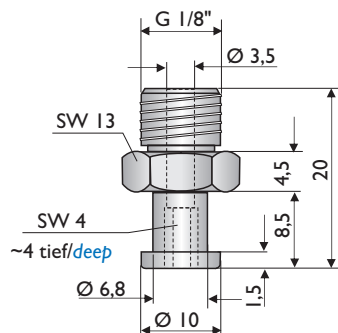
Art. No.: AT.0006  
 AG 1/8"  
 Material Alu



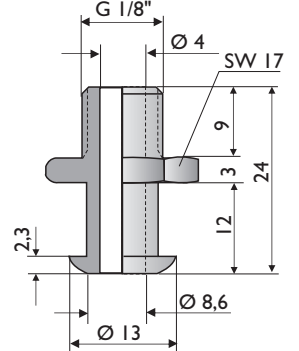
Art. No.: AT.0095  
 AG 1/8"



Art. No.: AT.0538  
 AG 1/8"



Art. No.: AT.0093  
 AG 1/8"

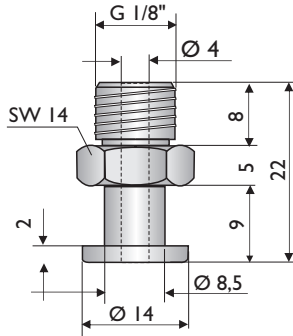


Änderungen im Sinne des technischen Fortschrittes vorbehalten. Copyright by MF Automation.

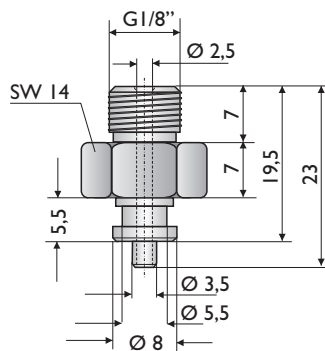
Specifications and design subject to change without notice. Infringements will be prosecuted



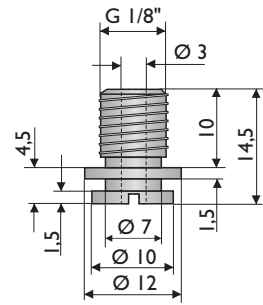
Art. No.: AT.0612  
 AG 1/8"



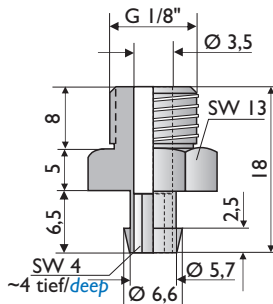
Art. No.: AT.0085  
 AG 1/8"



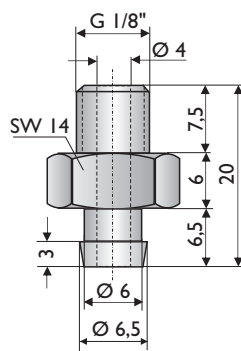
Art. No.: AT.0077  
 AG 1/8"  
 Material Alu blank



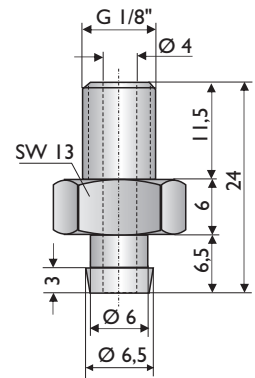
Art. No.: AT.0539  
 AG 1/8"



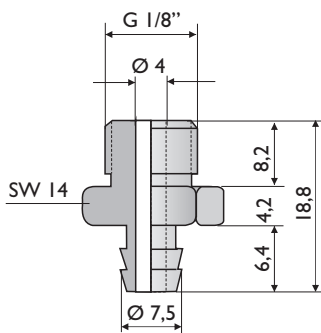
Art. No.: AT.0003  
 AG 1/8"  
 Material Alu blank



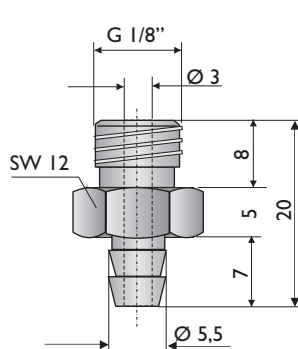
Art. No.: AT.0148  
 AG 1/8"



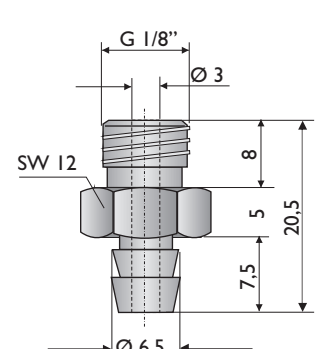
Art. No.: AT.0238  
 AG 1/8"



Art. No.: 00 08 03  
 AG 1/8"



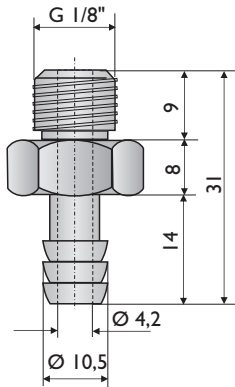
Art. No.: 00 08 67  
 AG 1/8"



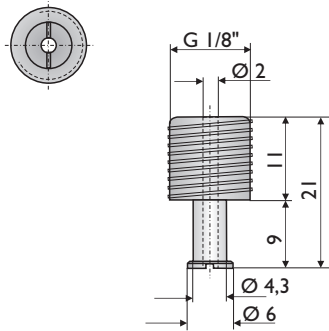
Änderungen im Sinne des technischen Fortschrittes vorbehalten. Copyright by MF Automation.

Specifications and design subject to change without notice. Infringements will be prosecuted

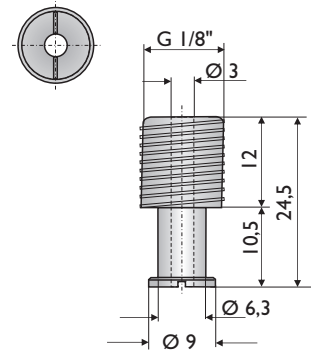
Art. No.: AT.0132  
 AG 1/8"  
 Material Alu



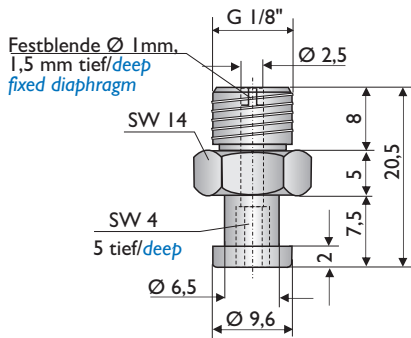
Art. No.: AT.0242  
 AG 1/8"



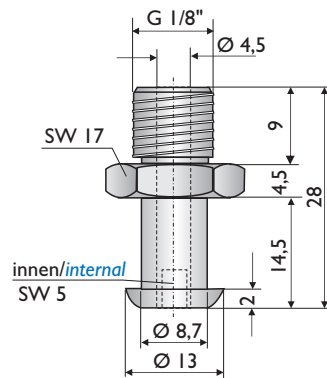
Art. No.: AT.0147  
 AG 1/8"



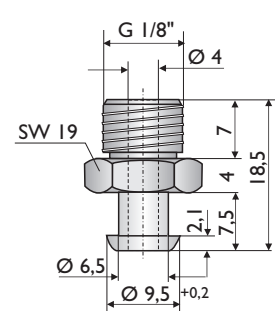
Art. No.: AT.0001-1  
 AG 1/8"



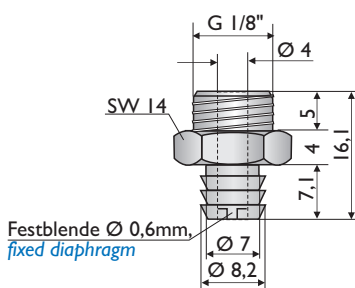
Art. No.: AT.0002.SW5  
 AG 1/8"



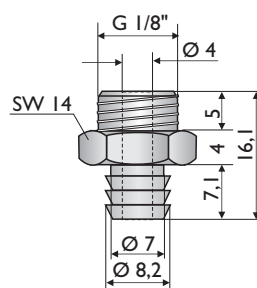
Art. No.: AT.0015  
 AG 1/8"



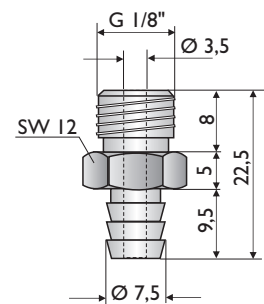
Art. No.: AT.0567  
 AG 1/8"



Art. No.: AT.0567-4  
 AG 1/8"



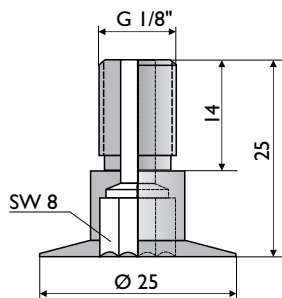
Art. No.: 00 08 05  
 AG 1/8"



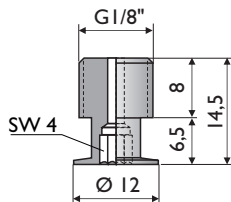
Änderungen im Sinne des technischen Fortschrittes vorbehalten. Copyright by MF Automation.

Specifications and design subject to change without notice. Infringements will be prosecuted

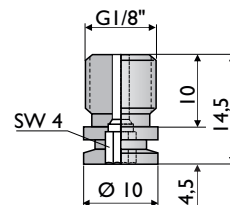
Art. No.: 00 08 44  
 AG 1/8"  
 Material Alu



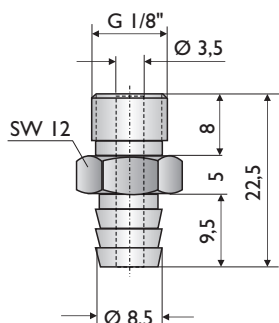
Art. No.: 00 08 60  
 AG 1/8"  
 Material Messing/Brass



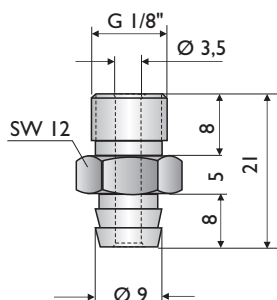
Art. No.: 00 08 61  
 AG 1/8"  
 Material Messing/Brass



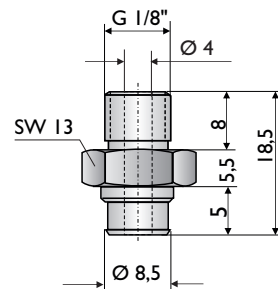
Art. No.: 00 08 82  
 AG 1/8"  
 Material Messing/Brass



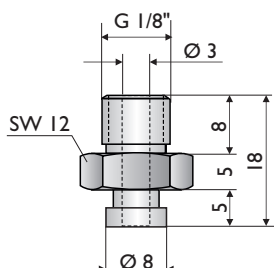
Art. No.: 00 08 101  
 AG 1/8"  
 Material Messing/Brass



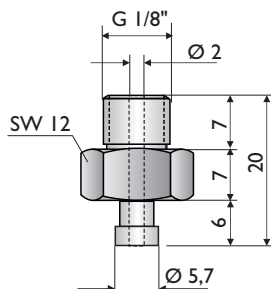
Art. No.: 00 08 133  
 AG 1/8"  
 Material Alu



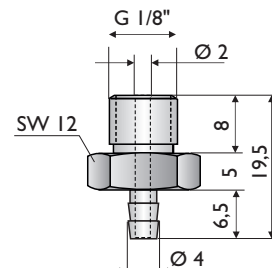
Art. No.: 00 08 146  
 AG 1/8"  
 Material Messing/Brass



Art. No.: 00 08 238  
 AG 1/8"  
 Material Messing/Brass



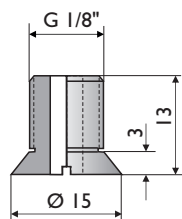
Art. No.: 00 08 239  
 AG 1/8"  
 Material Messing/Brass



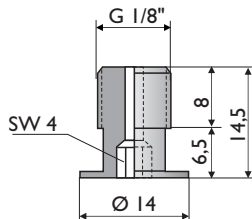
Änderungen im Sinne des technischen Fortschrittes vorbehalten. Copyright by MF Automation.

Specifications and design subject to change without notice. Infringements will be prosecuted

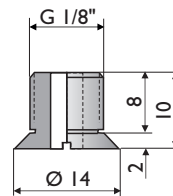
Art. No.: 00 08 243  
 AG 1/8"  
 Material Messing/Brass



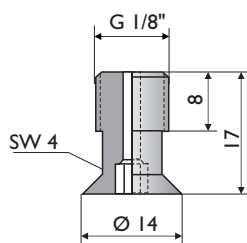
Art. No.: 00 08 244  
 AG 1/8"  
 Material Messing/Brass



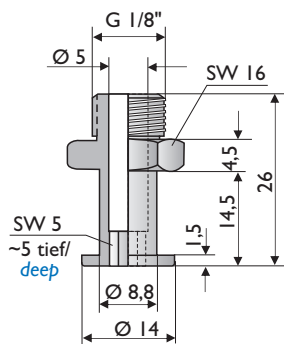
Art. No.: 00 08 246  
 AG 1/8"  
 Material Messing/Brass



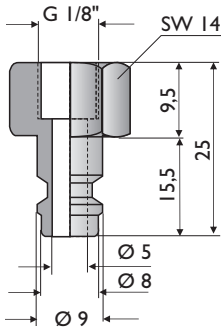
Art. No.: 00 08 247  
 AG 1/8"  
 Material Messing/Brass



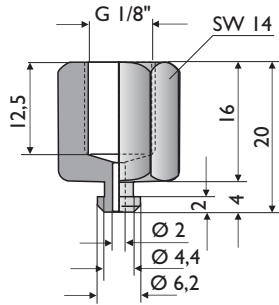
Art. No.: AT.0541  
 AG 1/8"



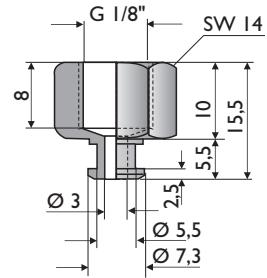
Art. No.: AT.0240  
 IG 1/8"



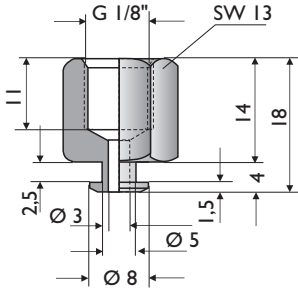
Art. No.: AT.0007  
 IG 1/8"



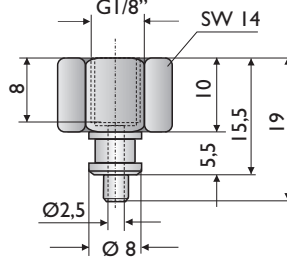
Art. No.: AT.0096  
 IG 1/8"



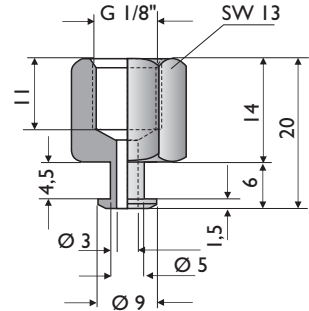
Art. No.: AT.0065  
 IG 1/8"



Art. No.: AT.0086  
 IG 1/8"



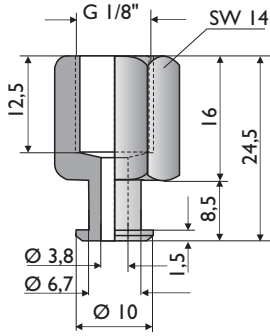
Art. No.: AT.0061  
 IG 1/8"



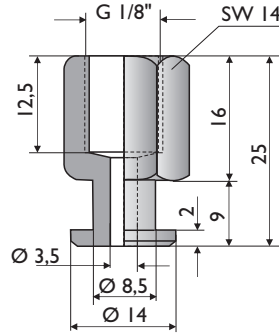
Änderungen im Sinne des technischen Fortschrittes vorbehalten. Copyright by MF Automation.

Specifications and design subject to change without notice. Infringements will be prosecuted

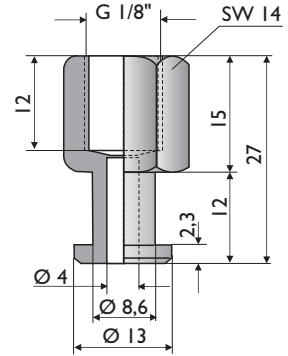
Art. No.: AT.0619  
 IG 1/8"



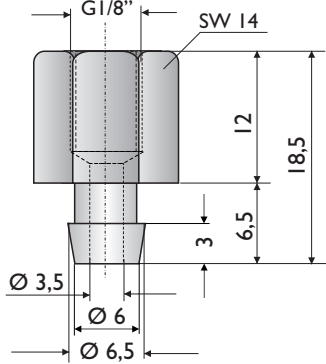
Art. No.: AT.0620  
 IG 1/8"



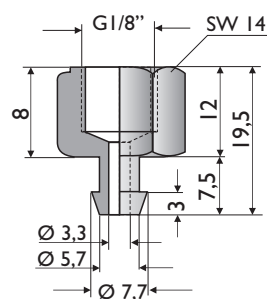
Art. No.: AT.0092  
 IG 1/8"



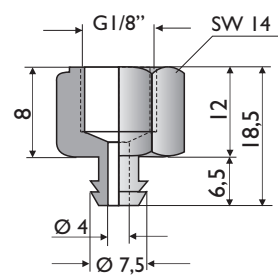
Art. No.: AT.0615  
 IG 1/8"



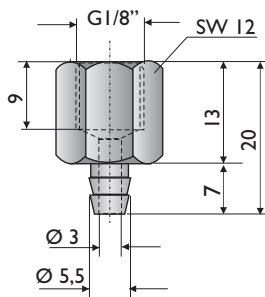
Art. No.: AT.0109  
 IG 1/8"



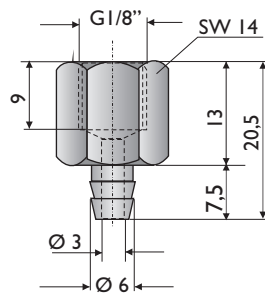
Art. No.: AT.0110  
 IG 1/8"



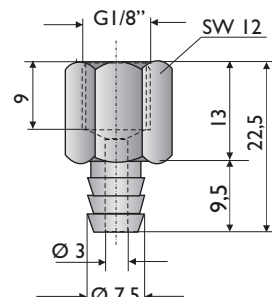
Art. No.: 00 08 04  
 IG 1/8"



Art. No.: AT.0206  
 IG 1/8"



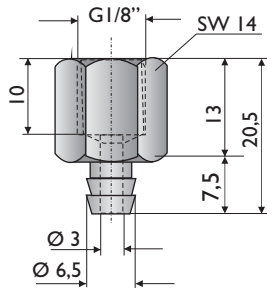
Art. No.: 00 08 14  
 IG 1/8"



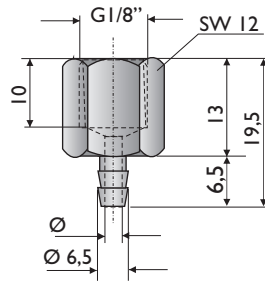
Änderungen im Sinne des technischen Fortschrittes vorbehalten. Copyright by MF Automation.

Specifications and design subject to change without notice. Infringements will be prosecuted

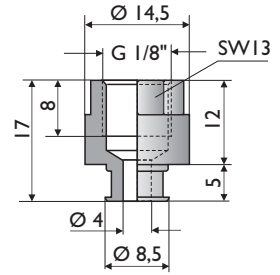
Art. No.: 00 08 64  
 IG 1/8"



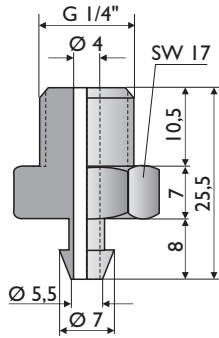
Art. No.: 00 08 240  
 IG 1/8"



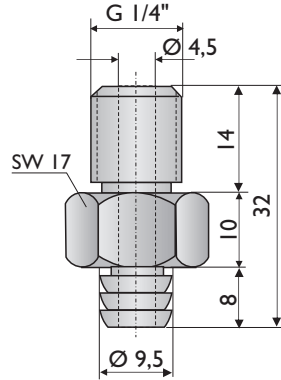
Art. No.: 00 08 132  
 IG 1/8"



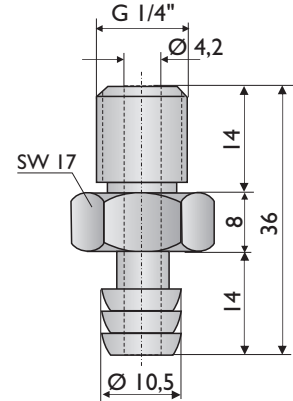
Art. No.: AT.0194  
 AG 1/4"



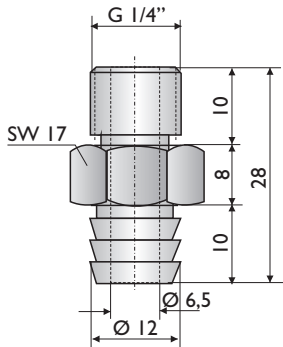
Art. No.: 00 08 18  
 AG 1/4"



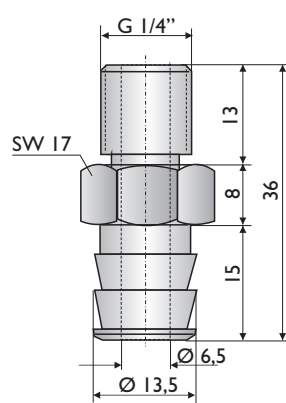
Art. No.: 00 08 10  
 AG 1/4"



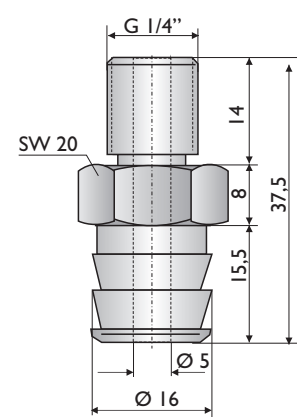
Art. No.: AT.0603  
 AG 1/4"



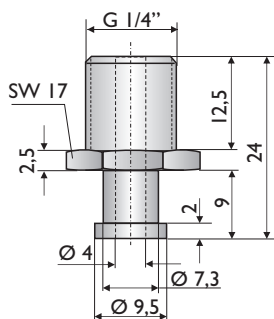
Art. No.: AT.0049  
 AG 1/4"



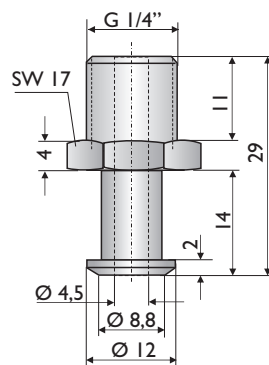
Art. No.: 00 08 09  
 AG 1/4"



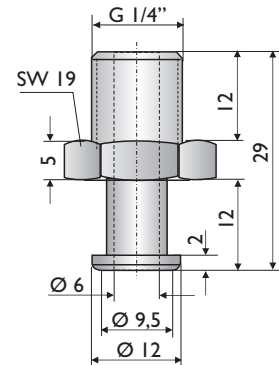
Art. No.: AT.0274  
 AG 1/4"



Art. No.: AT.0190  
 AG 1/4"



Art. No.: AT.0204  
 AG 1/4"

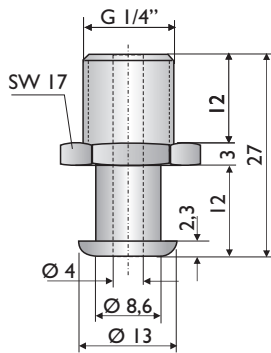


Änderungen im Sinne des technischen Fortschrittes vorbehalten. Copyright by MF Automation.

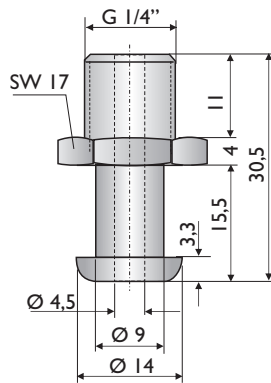
Specifications and design subject to change without notice. Infringements will be prosecuted



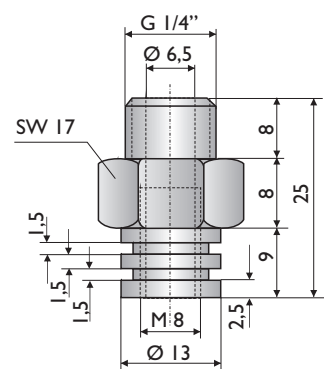
Art. No.: AT.0249  
 AG 1/4"



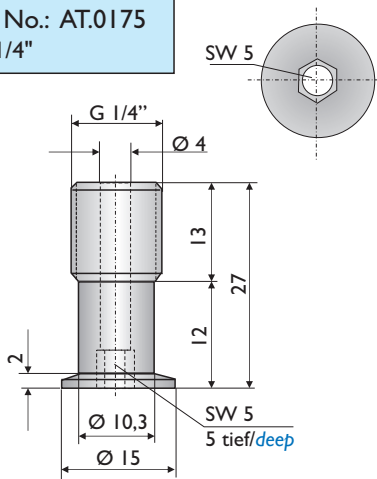
Art. No.: AT.0281  
 AG 1/4"



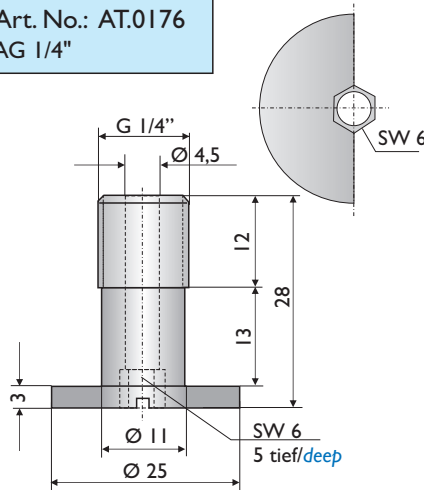
Art. No.: AT.0097  
 AG 1/4"



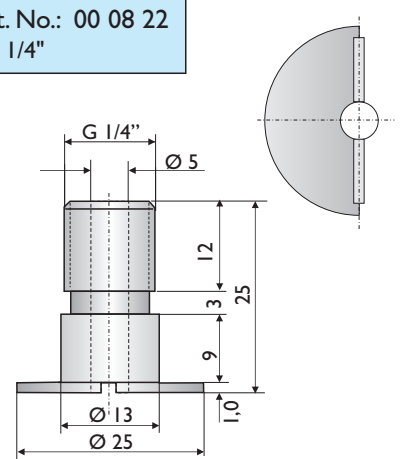
Art. No.: AT.0175  
 AG 1/4"



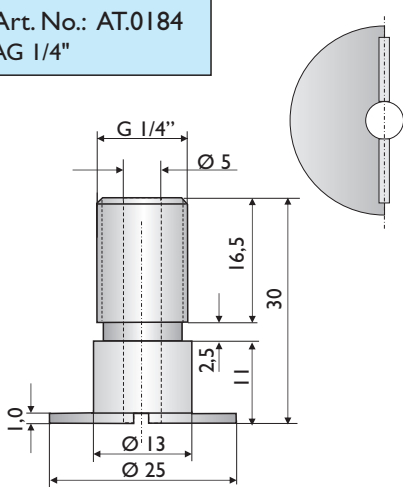
Art. No.: AT.0176  
 AG 1/4"



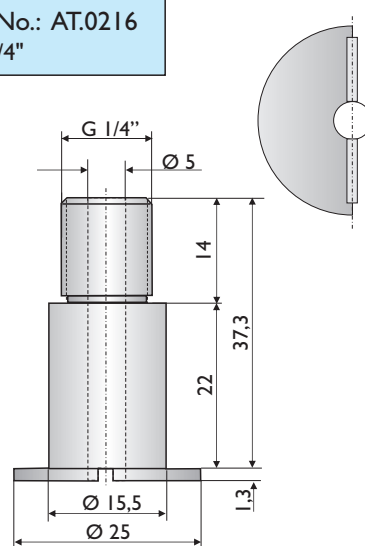
Art. No.: 00 08 22  
 AG 1/4"



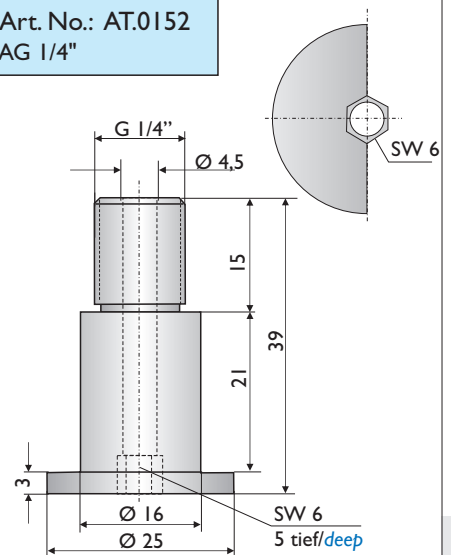
Art. No.: AT.0184  
 AG 1/4"



Art. No.: AT.0216  
 AG 1/4"



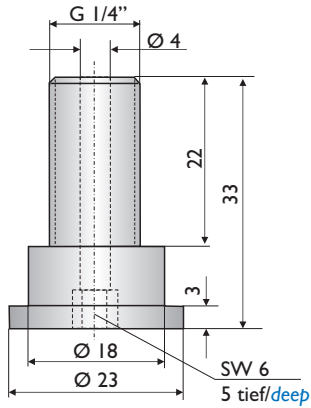
Art. No.: AT.0152  
 AG 1/4"



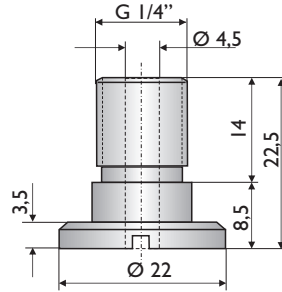
Änderungen im Sinne des technischen Fortschrittes vorbehalten. Copyright by MF Automation.

Specifications and design subject to change without notice. Infringements will be prosecuted

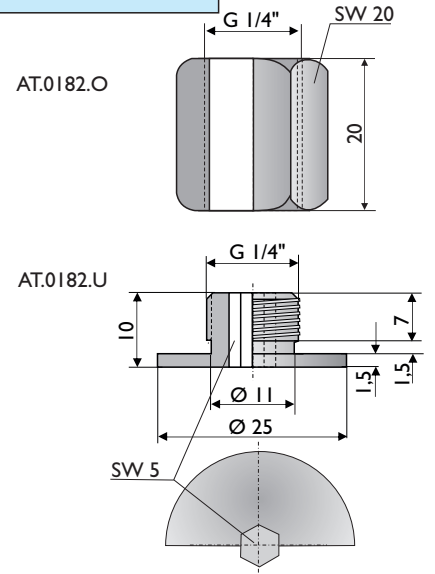
Art. No.: AT.0145  
 AG 1/4"



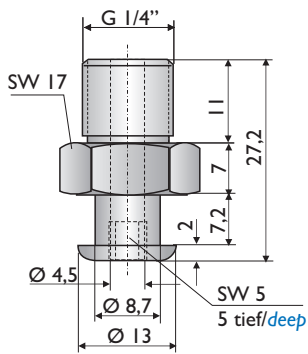
Art. No.: 00 08 81  
 AG 1/4"



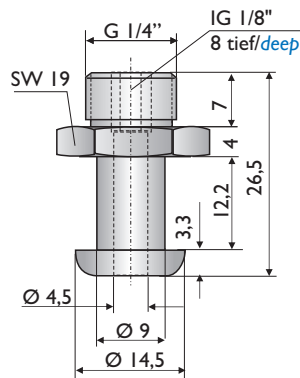
Art. No.: AT.0182.O  
 AT.0182.U



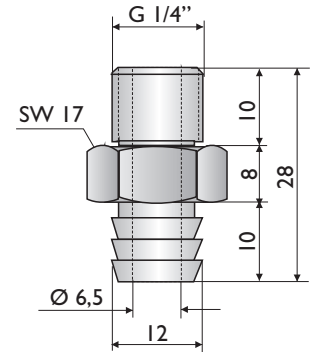
Art. No.: AT.0010  
 AG 1/4"



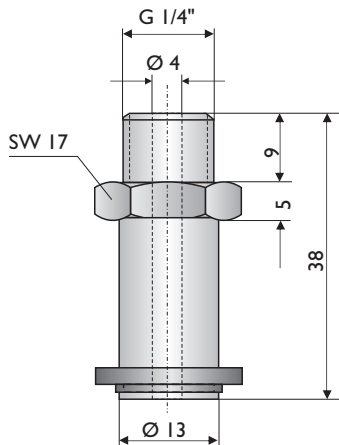
Art. No.: AT.0017  
 AG 1/4"



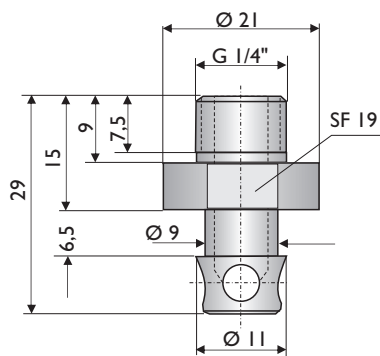
Art. No.: AT.0603  
 AG 1/4"



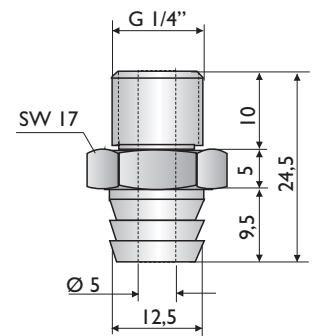
Art. No.: AT.0609  
 AG 1/4"



Art. No.: AT.0850  
 AG 1/4"



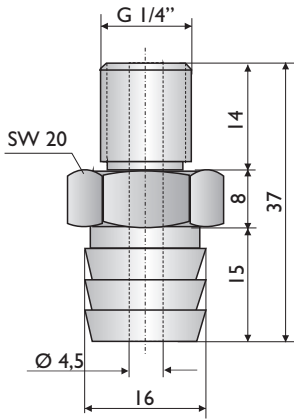
Art. No.: AT.0451  
 AG 1/4"



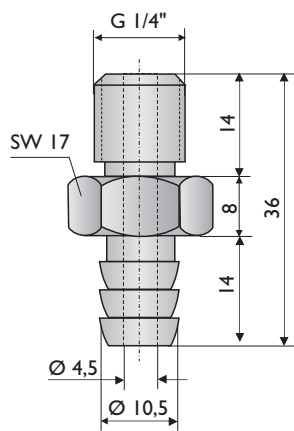
Änderungen im Sinne des technischen Fortschrittes vorbehalten. Copyright by MF Automation.

Specifications and design subject to change without notice. Infringements will be prosecuted

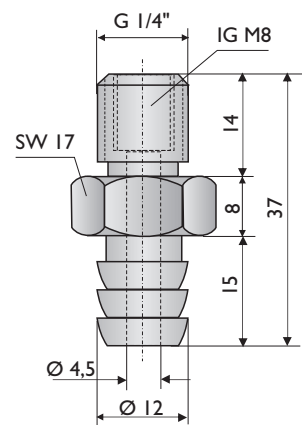
Art. No.: 00 08 09  
 AG 1/4"



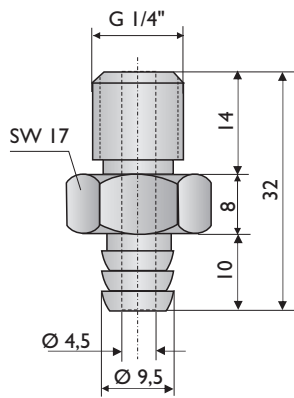
Art. No.: 00 08 10  
 AG 1/4"



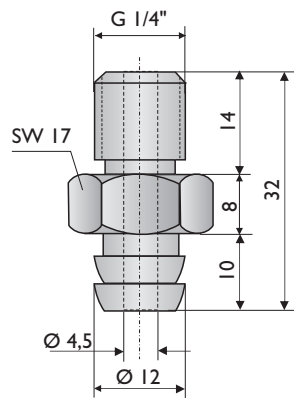
Art. No.: 00 08 15  
 AG 1/4"



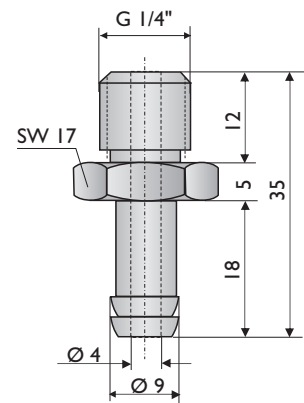
Art. No.: 00 08 18  
 AG 1/4"



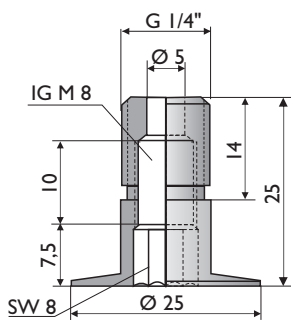
Art. No.: 00 08 20  
 AG 1/4"



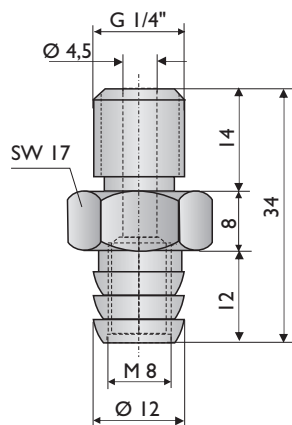
Art. No.: 00 08 19  
 AG 1/4"



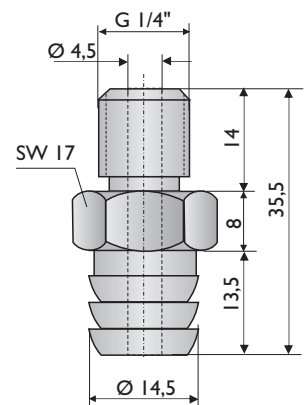
Art. No.: 00 08 22  
 AG 1/4"



Art. No.: 00 08 24  
 AG 1/4"



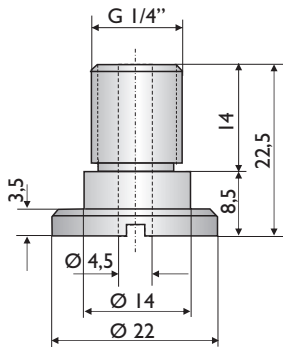
Art. No.: 00 08 26  
 AG 1/4"



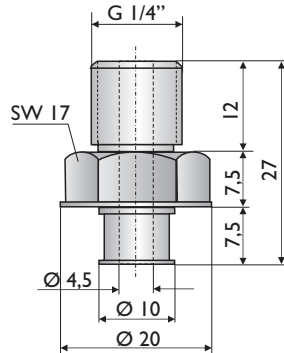
Änderungen im Sinne des technischen Fortschrittes vorbehalten. Copyright by MF Automation.

Specifications and design subject to change without notice. Infringements will be prosecuted

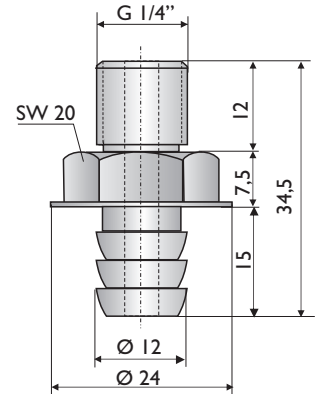
Art. No.: 00 08 81  
 AG 1/4"



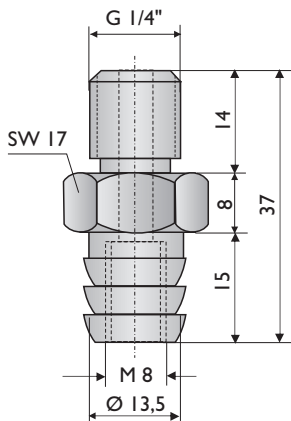
Art. No.: 00 08 135  
 AG 1/4"



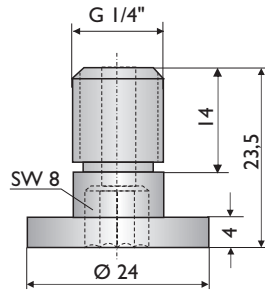
Art. No.: 00 08 148  
 AG 1/4"



Art. No.: 00 08 172  
 AG 1/4"

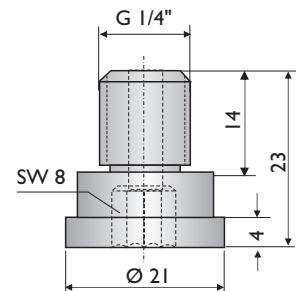


Art. No.: 00 08 248  
 AG 1/4"

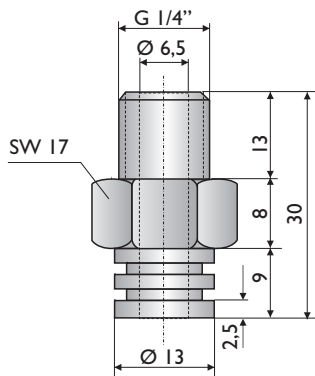


Art. No.: 00 08 250  
 AG 1/4"

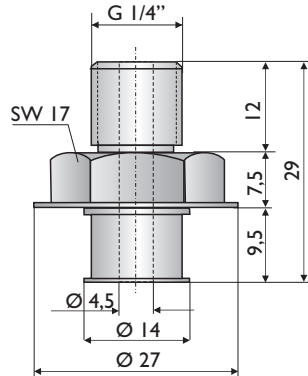
für Spezialsauger/for special suction cup  
 Art. No. 02 32 30



Art. No.: AT.0712  
 AG 1/4"



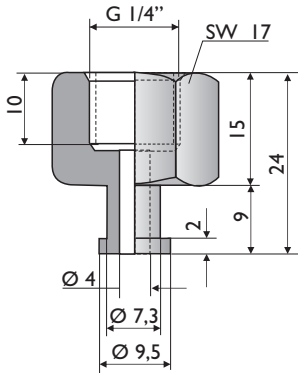
Art. No.: 00 08 142  
 AG 1/4"



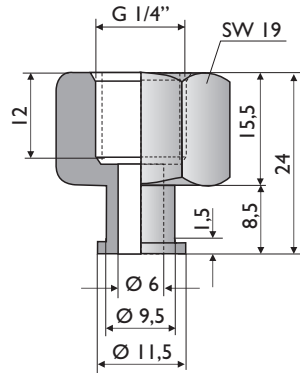
Änderungen im Sinne des technischen Fortschrittes vorbehalten. Copyright by MF Automation.

Specifications and design subject to change without notice. Infringements will be prosecuted

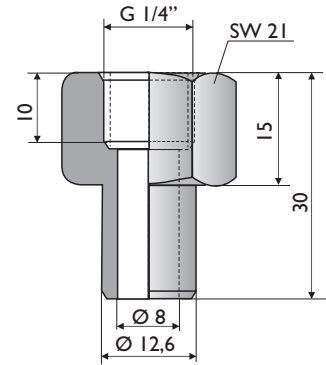
Art. No.: AT.0275  
 IG 1/4"



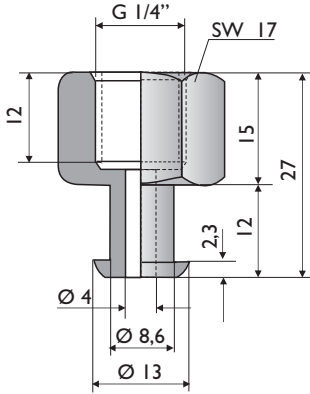
Art. No.: AT.0038  
 IG 1/4"



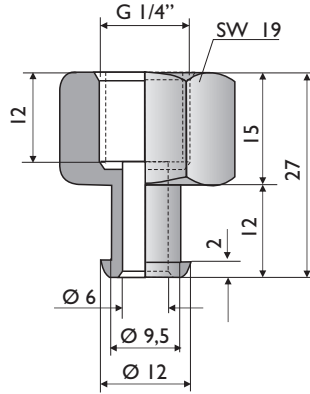
Art. No.: AT.0031  
 IG 1/4"



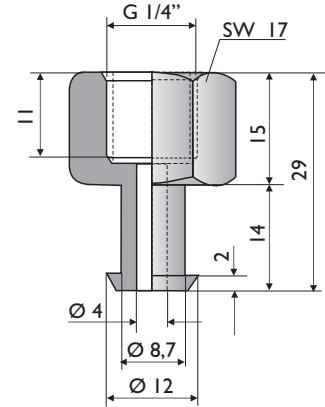
Art. No.: AT.0248  
 IG 1/4"



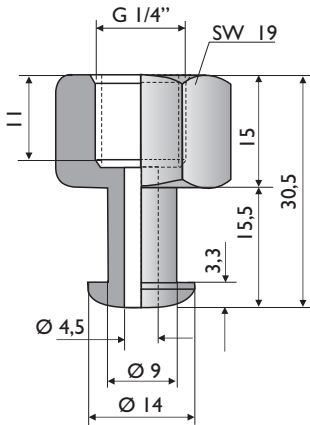
Art. No.: AT.0324  
 IG 1/4"



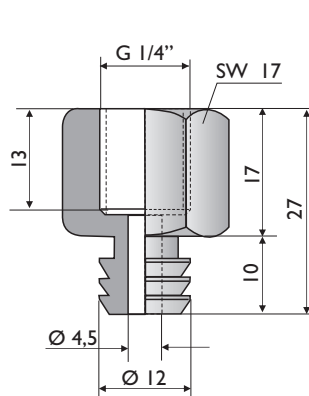
Art. No.: AT.0192  
 IG 1/4"



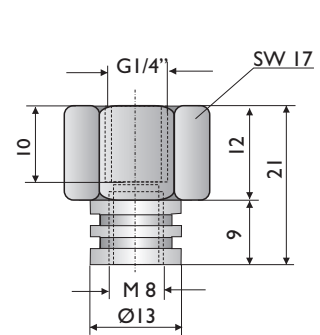
Art. No.: AT.0282  
 IG 1/4"



Art. No.: 00 08 21  
 IG 1/4"



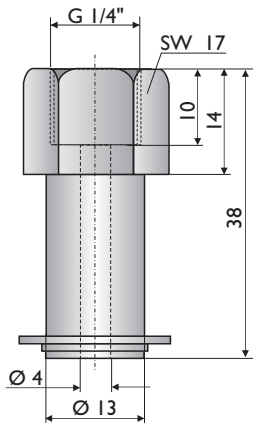
Art. No.: AT.0098  
 IG 1/4"



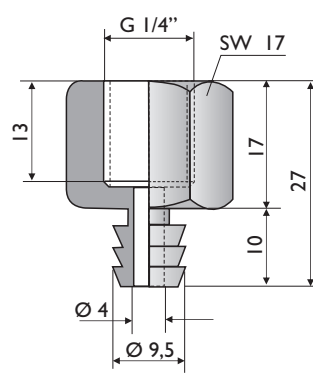
Änderungen im Sinne des technischen Fortschrittes vorbehalten. Copyright by MF Automation.

Specifications and design subject to change without notice. Infringements will be prosecuted

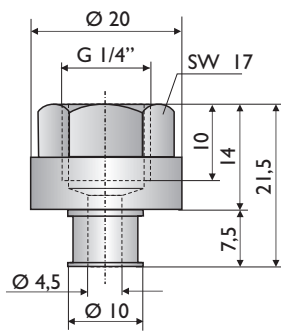
Art. No.: AT.0610  
 IG 1/4"



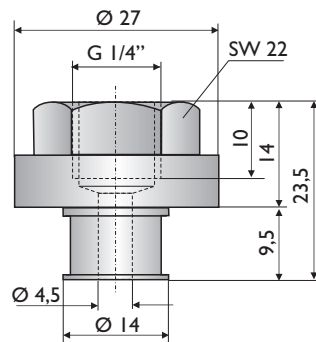
Art. No.: 00 08 50  
 IG 1/4"



Art. No.: 00 08 134  
 IG 1/4"



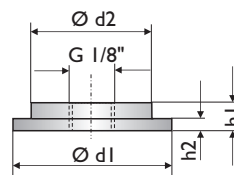
Art. No.: 00 08 141  
 IG 1/4"



Änderungen im Sinne des technischen Fortschrittes vorbehalten. Copyright by MF Automation.

## Spezial-Anschlusssteile / *Special Fittings*

Art. No.	Ø d1	Ø d2	h1	h2	für Sauger/ <i>for suction cups</i>
AT.0233	17,5	14,9	6,0	3,1	F0.020.027 + F0.025.024
AT.0234	20,5	17,5	6,0	3,0	F0.030.016 + F0.035.008
AT.0235	28,5	25,0	5,5	2,1	F0.040.018 + F0.050.010



Art. No.: Ø
AT.0259 = Ø 6
AT.0262 = G 1/8"
AT.0284 = G 1/4"

für Vakuumsauger/*for vacuum suction cup*  
 F0.065.003

Art. No.: AT.0179  
 IG 1/4"

für Vakuumsauger/*for vacuum suction cup*  
 Art. No. F0.070.001

Art. No.: AT.0180  
 IG 1/4"

für Vakuumsauger/*for vacuum suction cup*  
 Art. No. F0.100.001

Art. No.: AT.0335  
 IG 1/2", Material Alu

für Vakuumsauger/*for vacuum suction cup*  
 Art. No. F0.200.001

Änderungen im Sinne des technischen Fortschrittes vorbehalten. Copyright by MF Automation.

Specifications and design subject to change without notice. Infringements will be prosecuted