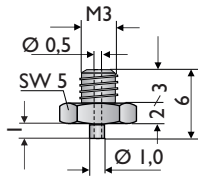
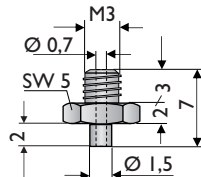


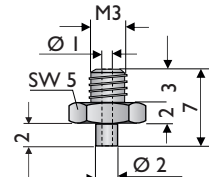
Art. No.: AT.0626
AG M3



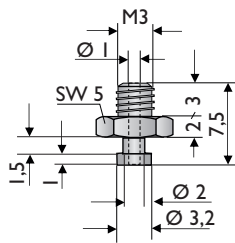
Art. No.: AT.0611
AG M3



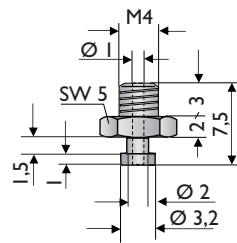
Art. No.: AT.0625
AG M3



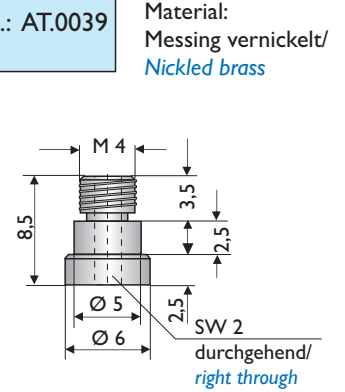
Art. No.: AT.0614
AG M3



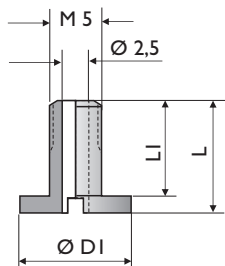
Art. No.: AT.0111
AG M4



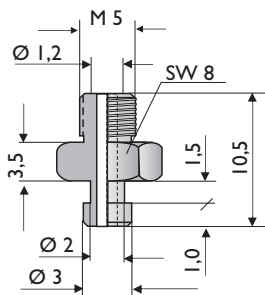
Art. No.: AT.0039
AG M4



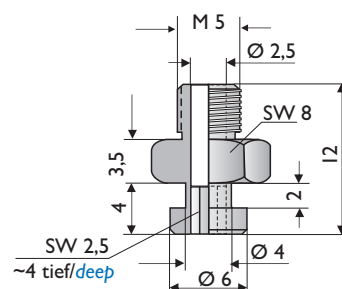
Art. No.:	DI	L	LI
AT.0310 - AG M5	8	9	7
AT.0311 - AG M5	11	11	9



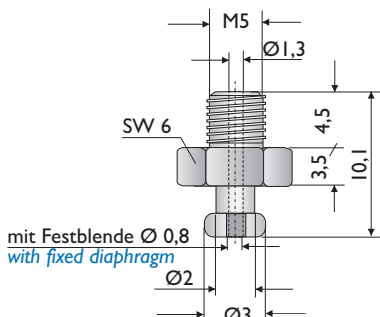
Art. No.: AT.0300
AG M5



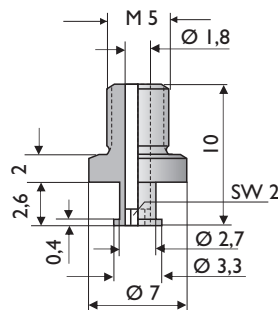
Art. No.: AT.0536
AG M5



Art. No.: AT.0300-08
AG M5

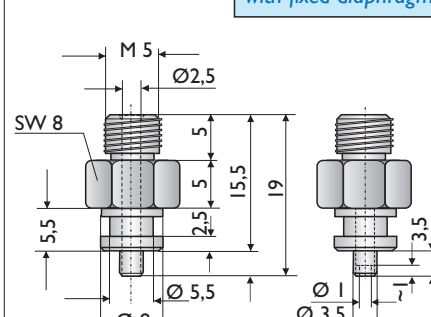


Art. No.: AT.0283
AG M5

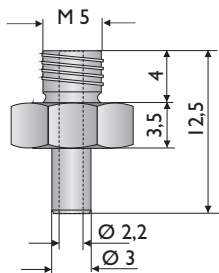


Art. No.: AT.0137
AG M5

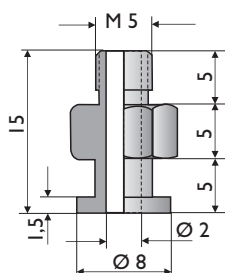
Art. No.: AT.0137-I
(mit Festblende/
with fixed diaphragm)



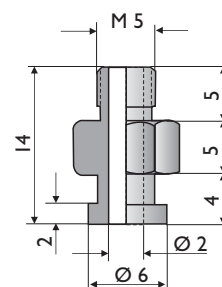
Art. No.: AT.0606
AG M5



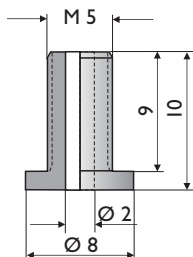
Art. No.: 00 08 236
AG M5



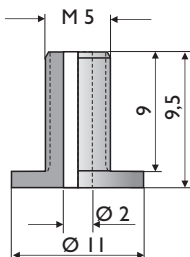
Art. No.: 00 08 237
AG M5



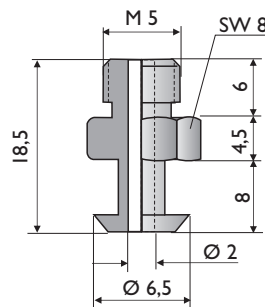
Art. No.: 00 08 241
AG M5



Art. No.: 00 08 242
AG M5



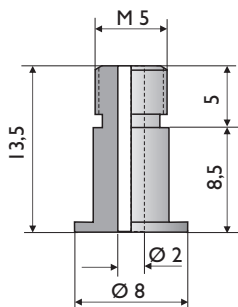
Art. No.: 00 08 245
AG M5



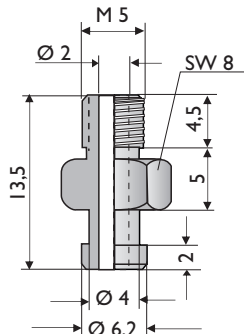
Änderungen im Sinne des technischen Fortschrittes vorbehalten. Copyright by MF Automation.

Specifications and design subject to change without notice. Infringements will be prosecuted

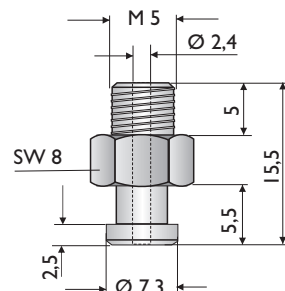
Art. No.: 00 08 249
AG M5



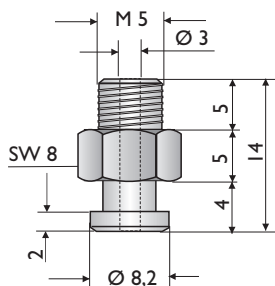
Art. No.: AT.0650
AG M5



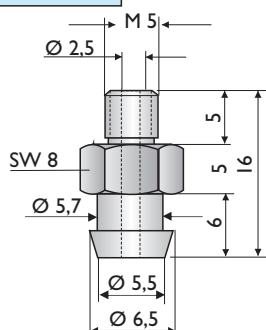
Art. No.: AT.0094
AG M5



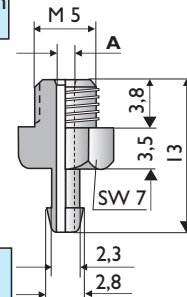
Art. No.: AT.0200
AG M5



Art. No.: AT.0613
AG M5 - Alu blank

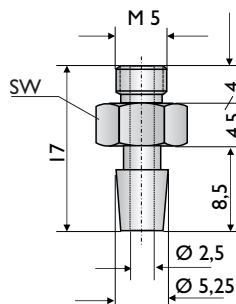


Art. No.: AT.0153.GR -AG M5
Saugbohrung **A** = 1,6 mm
Suction hole **A** = 1,6 mm

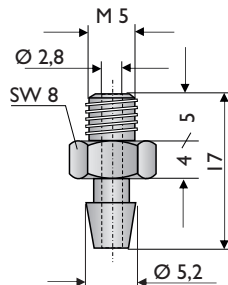


Art. No.: AT.0153.MSV - AG M5
Saugbohrung **A** = 1,4 mm
Suction hole **A** = 1,4 mm

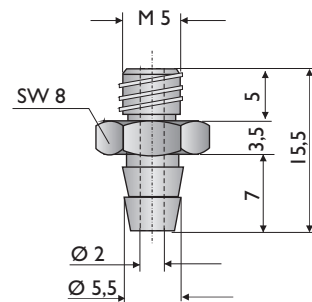
Art. No.: 00 08 06
AG M5



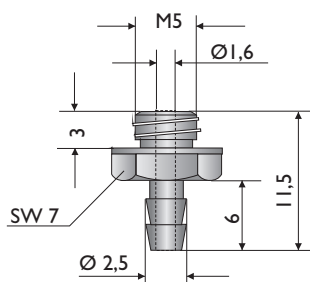
Art. No.: AT.0134
AG M5



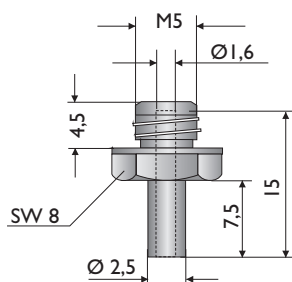
Art. No.: AT.0624
AG M5



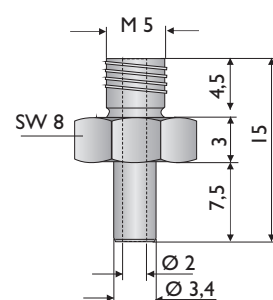
Art. No.: AT.0701
AG M5



Art. No.: AT.0701/29
AG M5



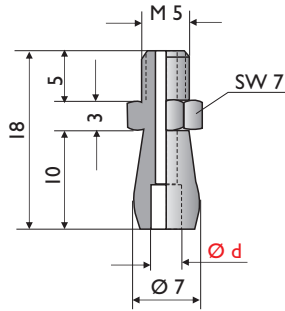
Art. No.: AT.0022
AG M5



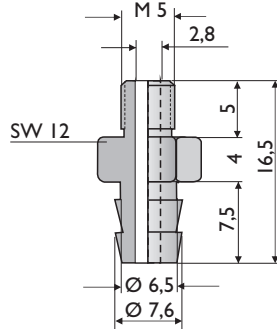
Änderungen im Sinne des technischen Fortschrittes vorbehalten. Copyright by MF Automation.

Specifications and design subject to change without notice. Infringements will be prosecuted

Art. No.: 00 08 01
 Ø d = 2,9 mm
 AG M5

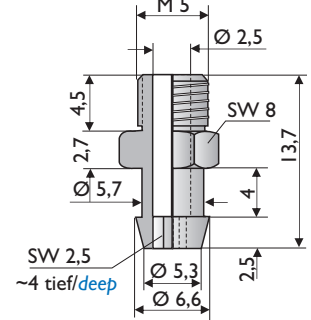


Art. No.: 00 08 02
 Ø d = 4,75 mm
 AG M5

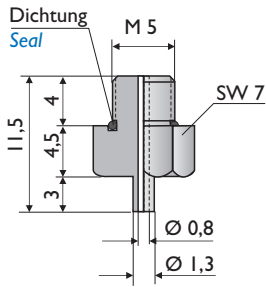


Art. No.: AT.0702
 AG M5 - Alu blank

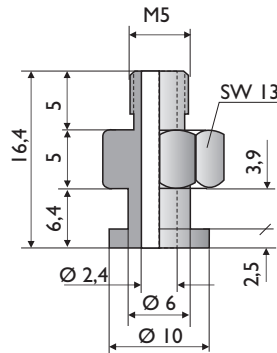
Art. No.: AT.0537 (VSA 40)
 AG M5



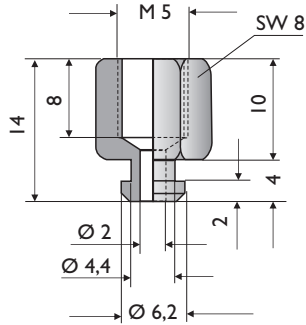
Art. No.: AT.0711
 AG M5



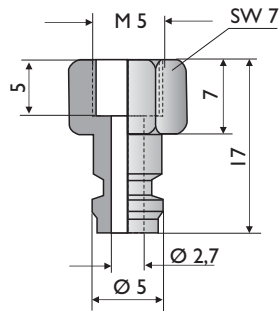
Art. No.: AT.0713
 AG M5- Alu blank



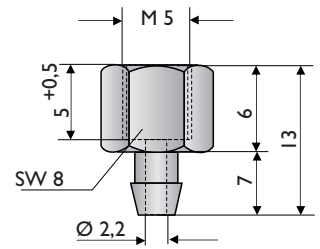
Art. No.: AT.0005
 IG M5



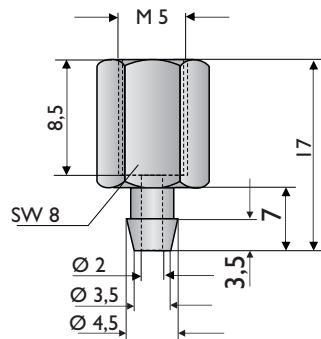
Art. No.: AT.0239
 IG M5



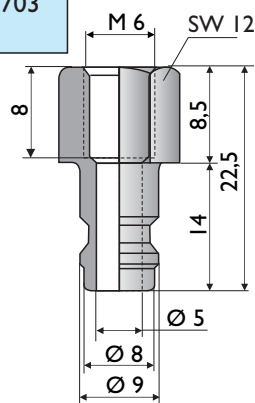
Art. No.: AT.0705
 IG M5 - MS



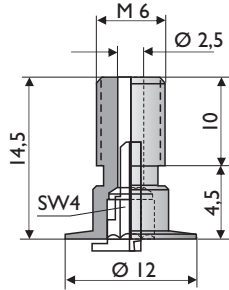
Art. No.: AT.0347
 IG M5



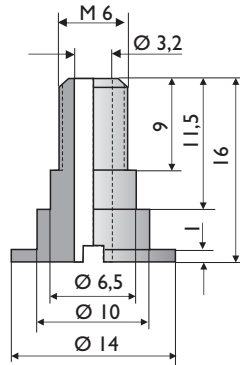
Art. No.: AT.0703
 IG M6



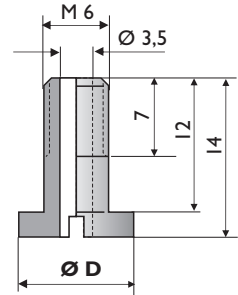
Art. No.: 00 08 08
 AG M6, MS vernickelt
Brass nickel plated



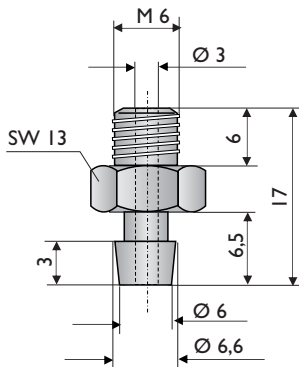
Art. No.: AT.0253
 AG M6



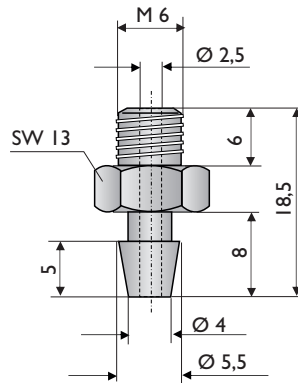
Art. No.: AT.03 12.MSV - Ø D = 10 mm
 AG M6 AT.03 12.Alu - Ø D = 11 mm



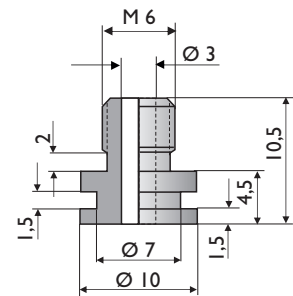
Art. No.: AT.0103
 AG M6
 Material Alu



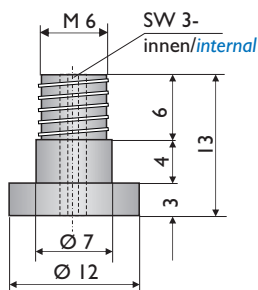
Art. No.: AT.0104
 AG M6
 Material Alu



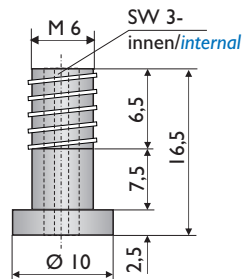
Art. No.: AT.0105
 AG M6



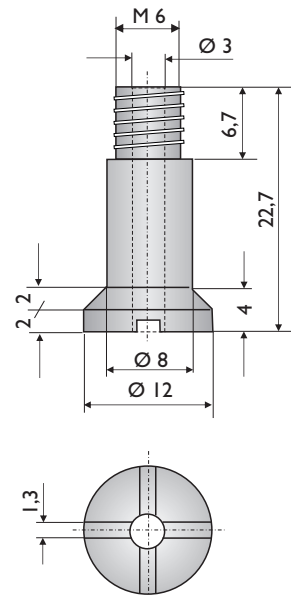
Art. No.: AT.0036
 AG M6



Art. No.: AT.0057
 AG M6



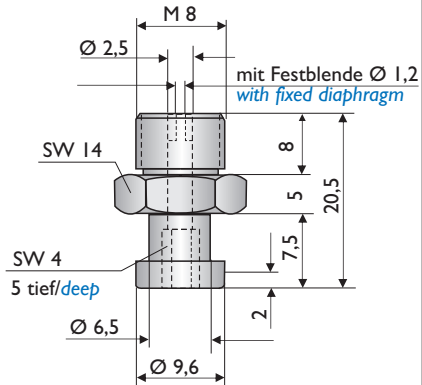
Art. No.: AT.0601
 AG M6
 Edestahl/*stainless steel*



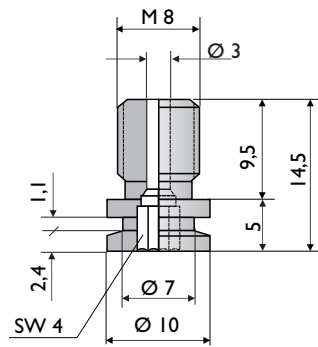
Änderungen im Sinne des technischen Fortschrittes vorbehalten. Copyright by MF Automation.

Specifications and design subject to change without notice. Infringements will be prosecuted

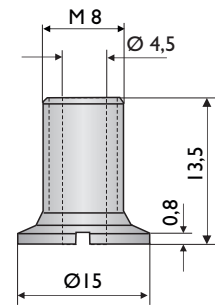
Art. No.: AT.0001-2
 AG M 8



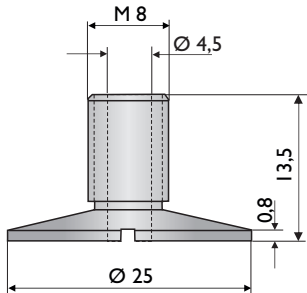
Art. No.: 00 08 07
 AG M 8



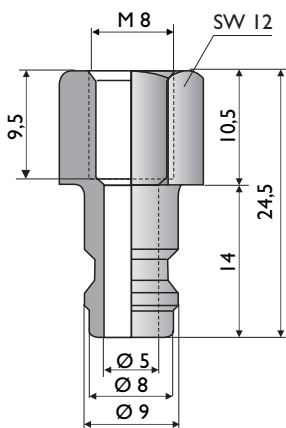
Art. No.: 00 20 14
 AG M 8



Art. No.: 00 20 13
 AG M 8



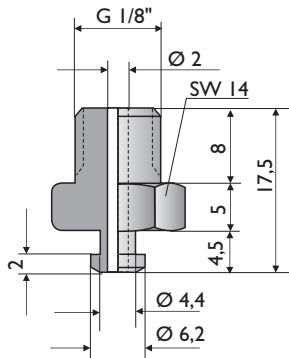
Art. No.: AT.0704
 IG M 8



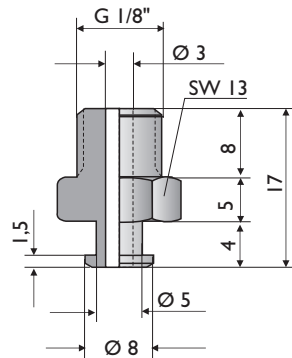
Änderungen im Sinne des technischen Fortschrittes vorbehalten. Copyright by MF Automation.

Specifications and design subject to change without notice. Infringements will be prosecuted

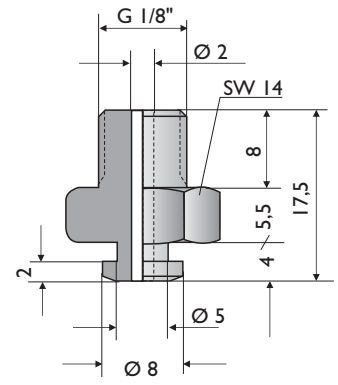
Art. No.: AT.0009
 AG 1/8"



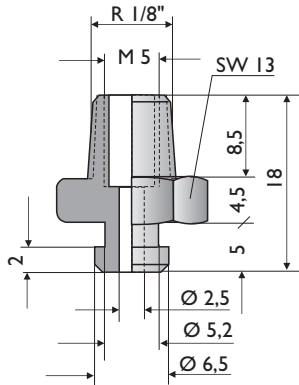
Art. No.: AT.0064
 AG 1/8"



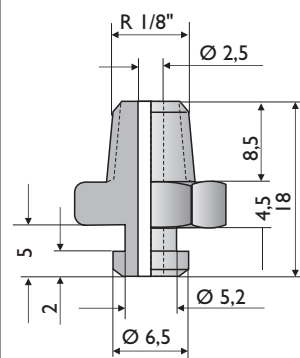
Art. No.: AT.0021
 AG 1/8"



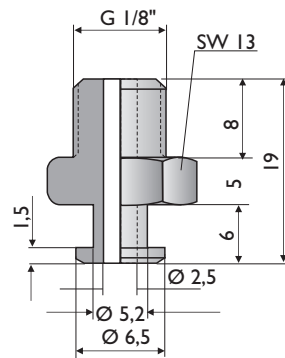
Art. No.: AT.0188
 AG R 1/8"
 Material POM



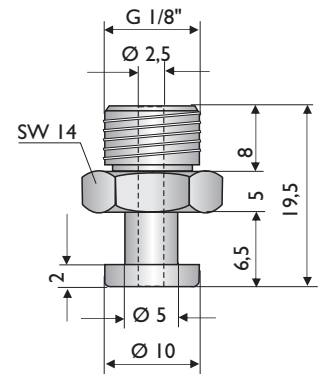
Art. No.: AT.0189
 AG R 1/8"
 Material POM



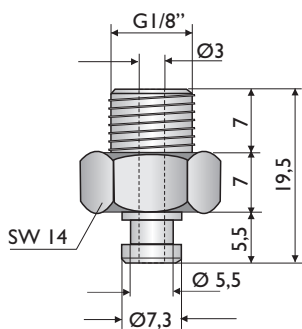
Art. No.: AT.0063
 AG 1/8"



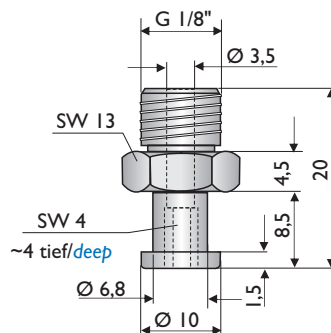
Art. No.: AT.0006
 AG 1/8"
 Material Alu



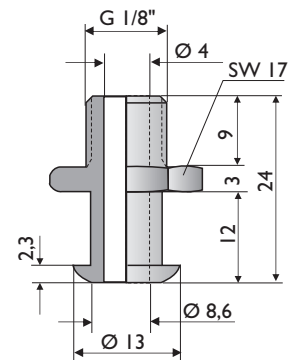
Art. No.: AT.0095
 AG 1/8"



Art. No.: AT.0538
 AG 1/8"



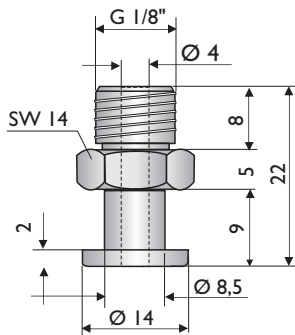
Art. No.: AT.0093
 AG 1/8"



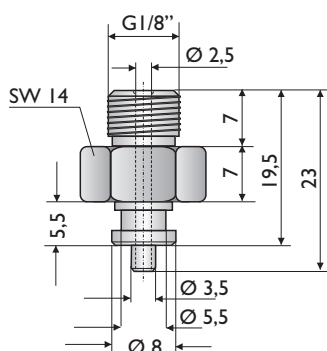
Änderungen im Sinne des technischen Fortschrittes vorbehalten. Copyright by MF Automation.

Specifications and design subject to change without notice. Infringements will be prosecuted

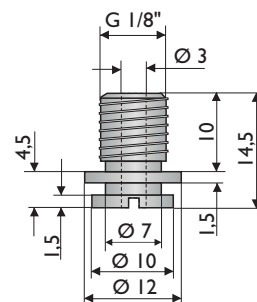
Art. No.: AT.0612
 AG 1/8"



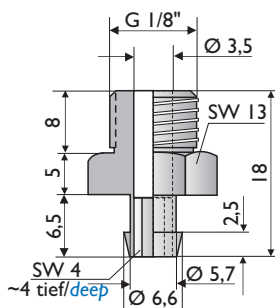
Art. No.: AT.0085
 AG 1/8"



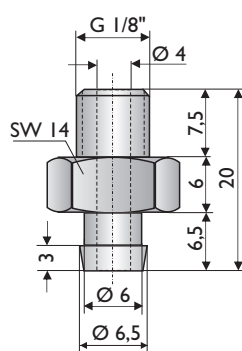
Art. No.: AT.0077
 AG 1/8"
 Material Alu blank



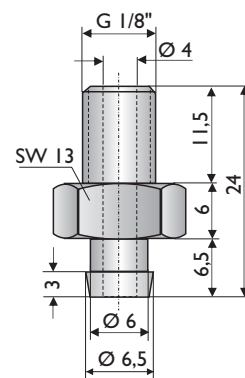
Art. No.: AT.0539
 AG 1/8"



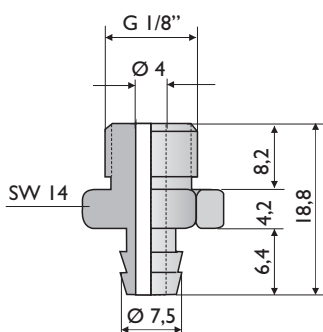
Art. No.: AT.0003
 AG 1/8"
 Material Alu blank



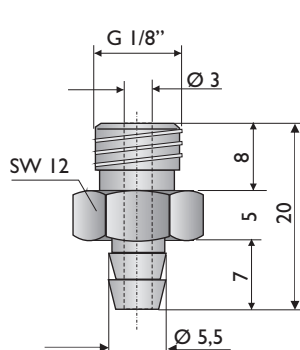
Art. No.: AT.0148
 AG 1/8"



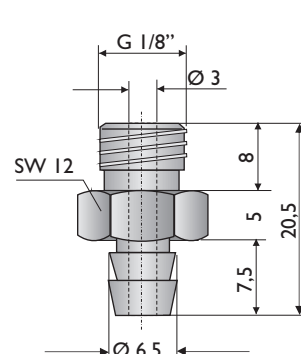
Art. No.: AT.0238
 AG 1/8"



Art. No.: 00 08 03
 AG 1/8"



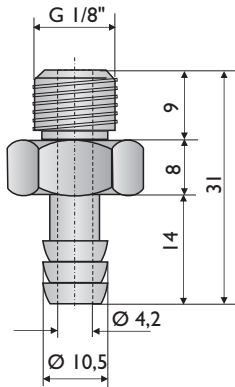
Art. No.: 00 08 67
 AG 1/8"



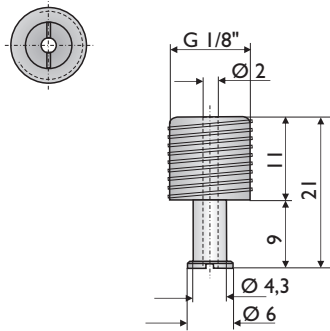
Änderungen im Sinne des technischen Fortschrittes vorbehalten. Copyright by MF Automation.

Specifications and design subject to change without notice. Infringements will be prosecuted

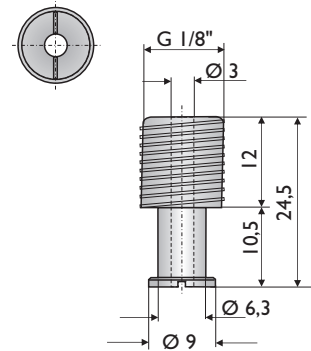
Art. No.: AT.0132
 AG 1/8"
 Material Alu



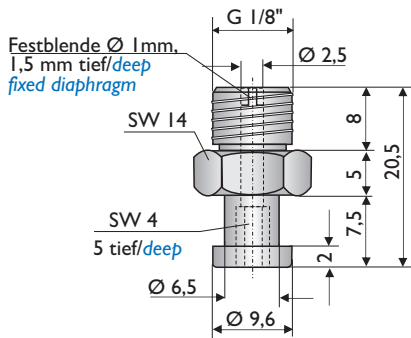
Art. No.: AT.0242
 AG 1/8"



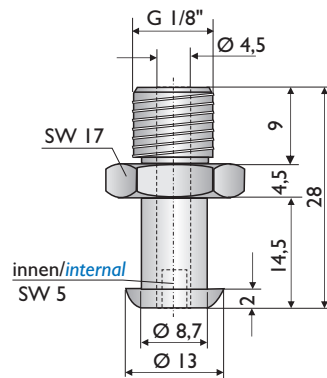
Art. No.: AT.0147
 AG 1/8"



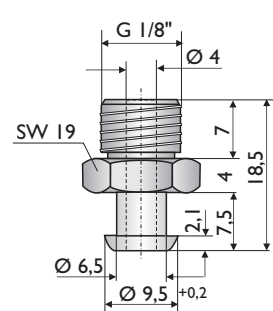
Art. No.: AT.0001-1
 AG 1/8"



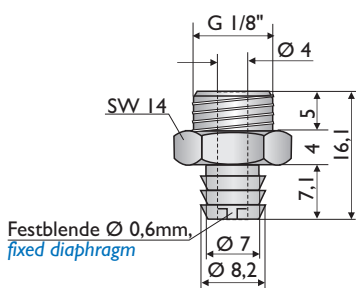
Art. No.: AT.0002.SW5
 AG 1/8"



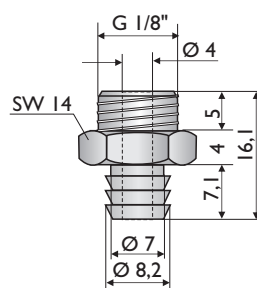
Art. No.: AT.0015
 AG 1/8"



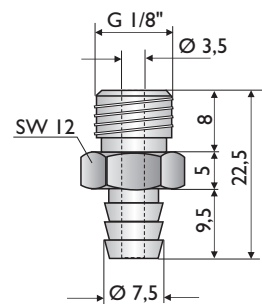
Art. No.: AT.0567
 AG 1/8"



Art. No.: AT.0567-4
 AG 1/8"



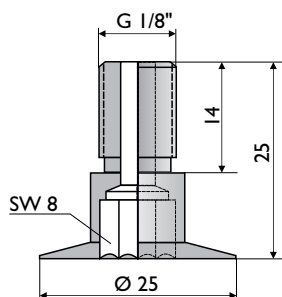
Art. No.: 00 08 05
 AG 1/8"



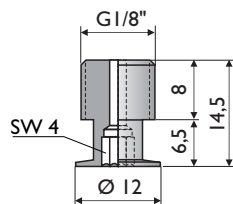
Änderungen im Sinne des technischen Fortschrittes vorbehalten. Copyright by MF Automation.

Specifications and design subject to change without notice. Infringements will be prosecuted

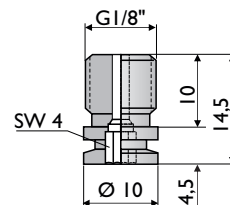
Art. No.: 00 08 44
 AG 1/8"
 Material Alu



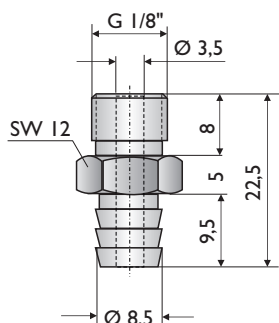
Art. No.: 00 08 60
 AG 1/8"
 Material Messing/Brass



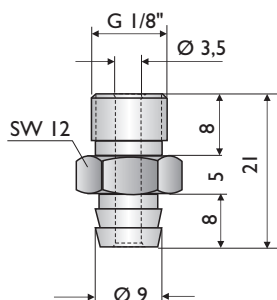
Art. No.: 00 08 61
 AG 1/8"
 Material Messing/Brass



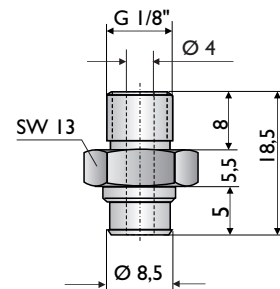
Art. No.: 00 08 82
 AG 1/8"
 Material Messing/Brass



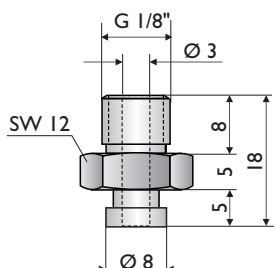
Art. No.: 00 08 101
 AG 1/8"
 Material Messing/Brass



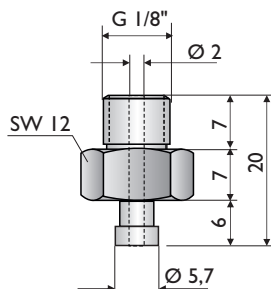
Art. No.: 00 08 133
 AG 1/8"
 Material Alu



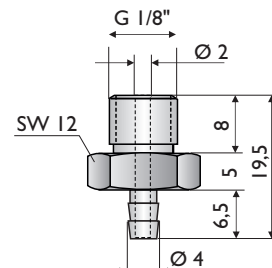
Art. No.: 00 08 146
 AG 1/8"
 Material Messing/Brass



Art. No.: 00 08 238
 AG 1/8"
 Material Messing/Brass



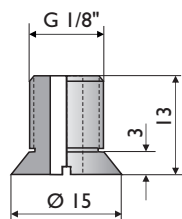
Art. No.: 00 08 239
 AG 1/8"
 Material Messing/Brass



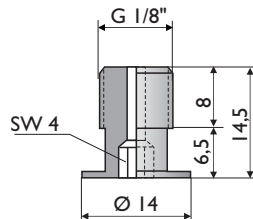
Änderungen im Sinne des technischen Fortschrittes vorbehalten. Copyright by MF Automation.

Specifications and design subject to change without notice. Infringements will be prosecuted

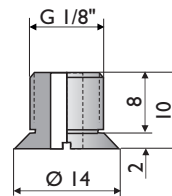
Art. No.: 00 08 243
 AG 1/8"
 Material Messing/Brass



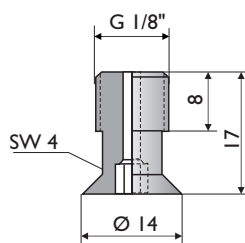
Art. No.: 00 08 244
 AG 1/8"
 Material Messing/Brass



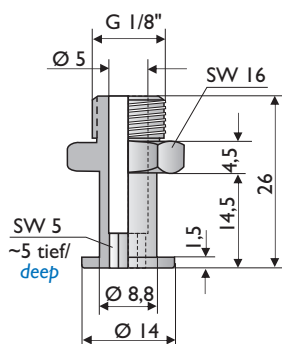
Art. No.: 00 08 246
 AG 1/8"
 Material Messing/Brass



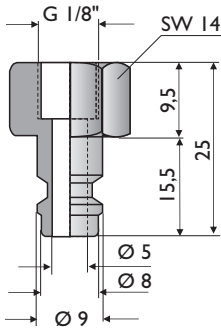
Art. No.: 00 08 247
 AG 1/8"
 Material Messing/Brass



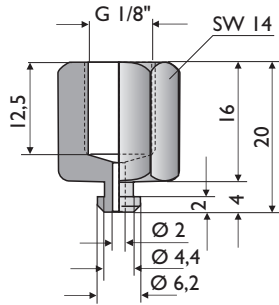
Art. No.: AT.0541
 AG 1/8"



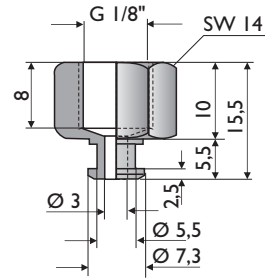
Art. No.: AT.0240
 IG 1/8"



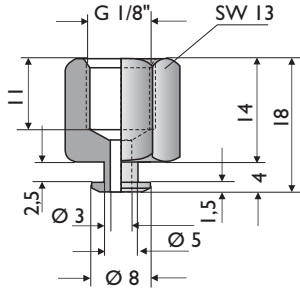
Art. No.: AT.0007
 IG 1/8"



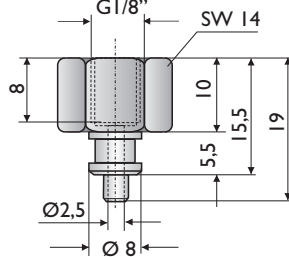
Art. No.: AT.0096
 IG 1/8"



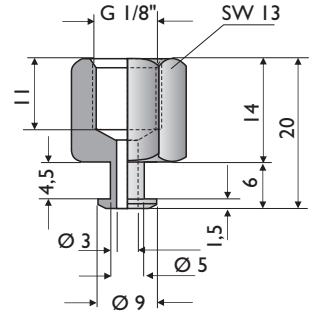
Art. No.: AT.0065
 IG 1/8"



Art. No.: AT.0086
 IG 1/8"



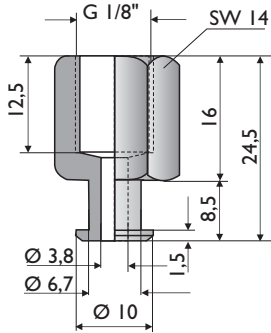
Art. No.: AT.0061
 IG 1/8"



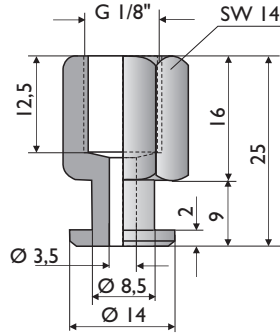
Änderungen im Sinne des technischen Fortschrittes vorbehalten. Copyright by MF Automation.

Specifications and design subject to change without notice. Infringements will be prosecuted

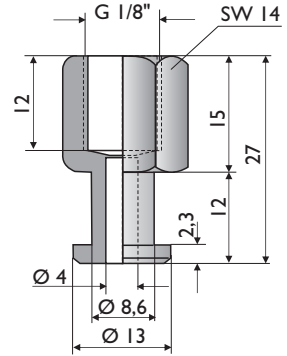
Art. No.: AT.0619
 IG 1/8"



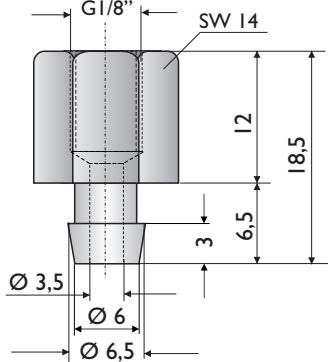
Art. No.: AT.0620
 IG 1/8"



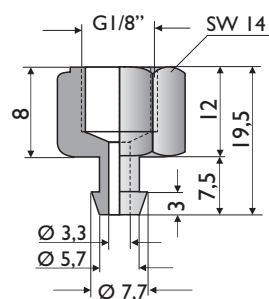
Art. No.: AT.0092
 IG 1/8"



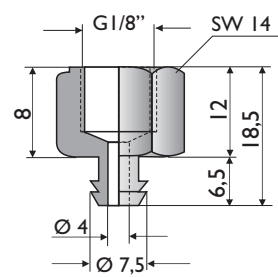
Art. No.: AT.0615
 IG 1/8"



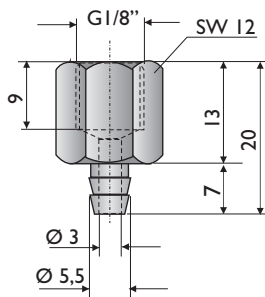
Art. No.: AT.0109
 IG 1/8"



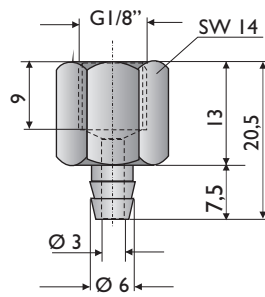
Art. No.: AT.0110
 IG 1/8"



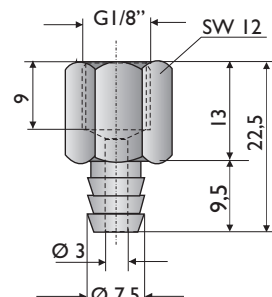
Art. No.: 00 08 04
 IG 1/8"



Art. No.: AT.0206
 IG 1/8"



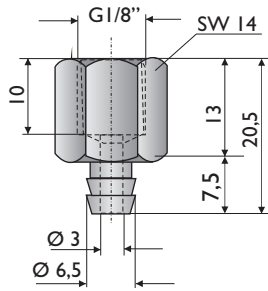
Art. No.: 00 08 14
 IG 1/8"



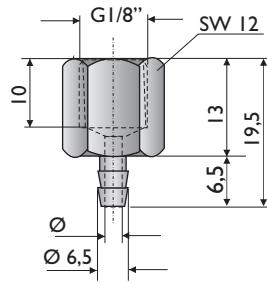
Änderungen im Sinne des technischen Fortschrittes vorbehalten. Copyright by MF Automation.

Specifications and design subject to change without notice. Infringements will be prosecuted

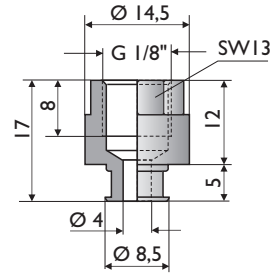
Art. No.: 00 08 64
 IG 1/8"



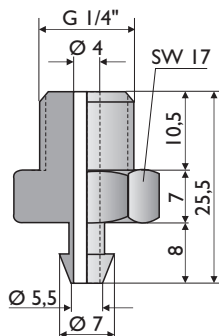
Art. No.: 00 08 240
 IG 1/8"



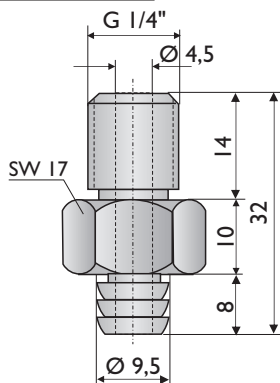
Art. No.: 00 08 132
 IG 1/8"



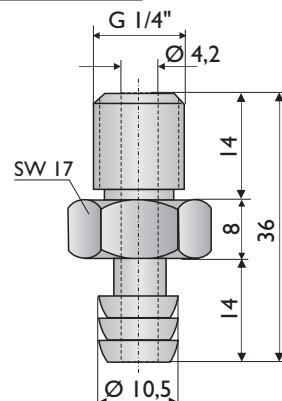
Art. No.: AT.0194
 AG 1/4"



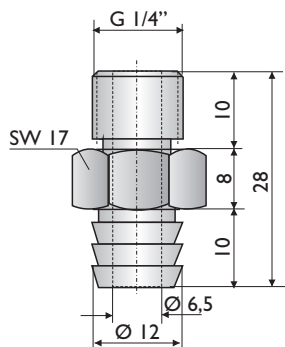
Art. No.: 00 08 18
 AG 1/4"



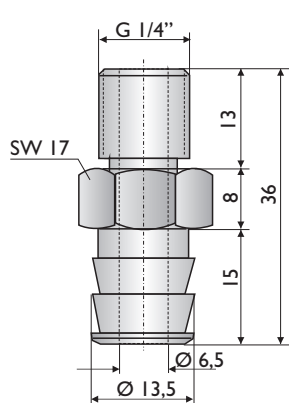
Art. No.: 00 08 10
 AG 1/4"



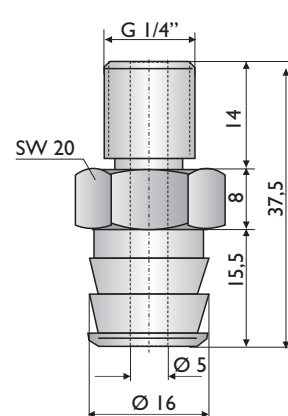
Art. No.: AT.0603
 AG 1/4"



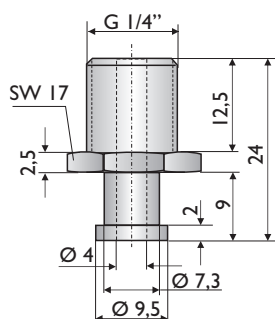
Art. No.: AT.0049
 AG 1/4"



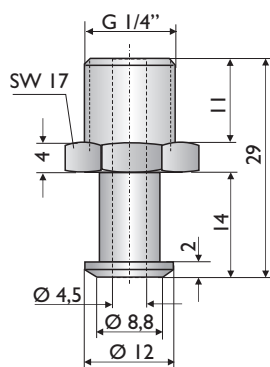
Art. No.: 00 08 09
 AG 1/4"



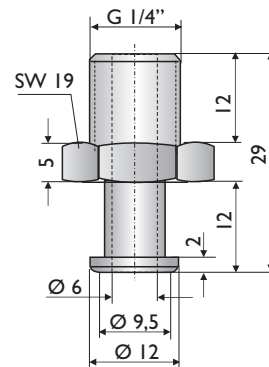
Art. No.: AT.0274
 AG 1/4"



Art. No.: AT.0190
 AG 1/4"



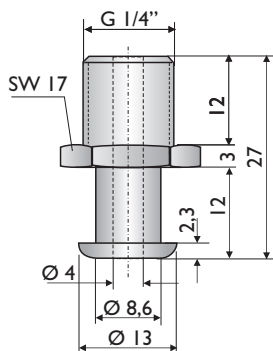
Art. No.: AT.0204
 AG 1/4"



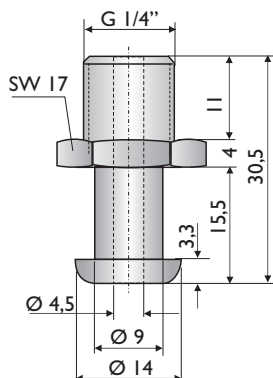
Änderungen im Sinne des technischen Fortschrittes vorbehalten. Copyright by MF Automation.

Specifications and design subject to change without notice. Infringements will be prosecuted

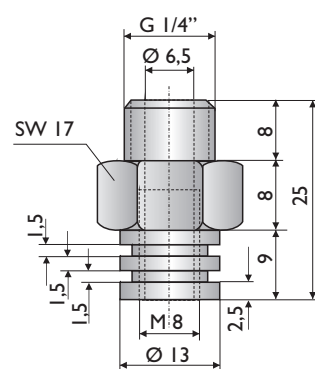
Art. No.: AT.0249
 AG 1/4"



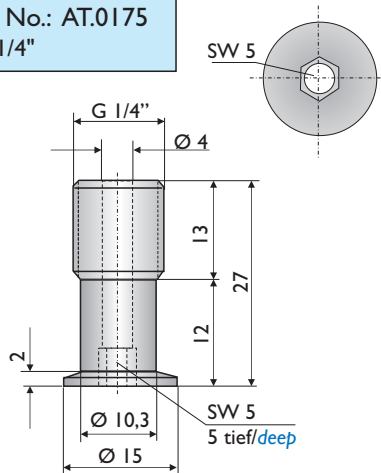
Art. No.: AT.0281
 AG 1/4"



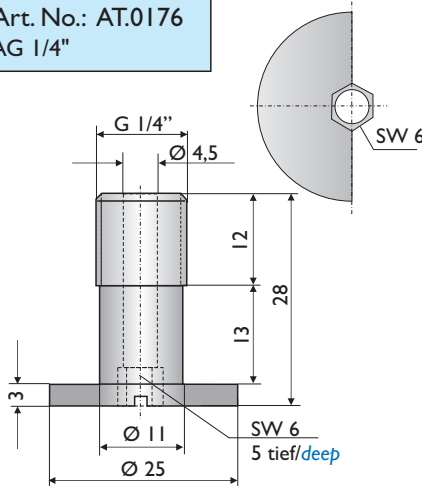
Art. No.: AT.0097
 AG 1/4"



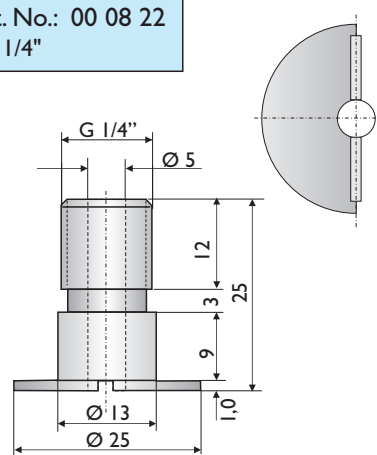
Art. No.: AT.0175
 AG 1/4"



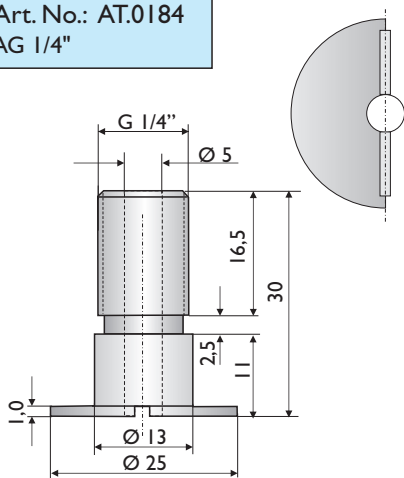
Art. No.: AT.0176
 AG 1/4"



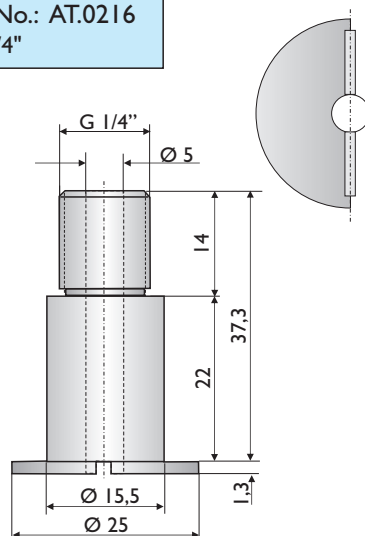
Art. No.: 00 08 22
 AG 1/4"



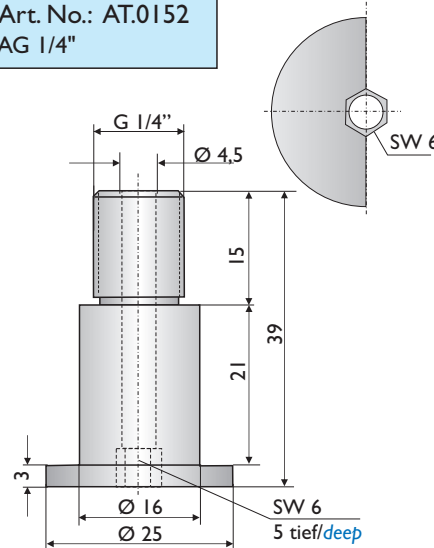
Art. No.: AT.0184
 AG 1/4"



Art. No.: AT.0216
 AG 1/4"



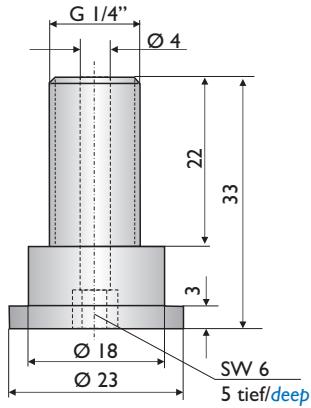
Art. No.: AT.0152
 AG 1/4"



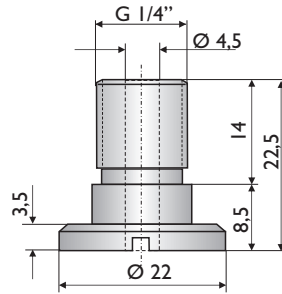
Änderungen im Sinne des technischen Fortschrittes vorbehalten. Copyright by MF Automation.

Specifications and design subject to change without notice. Infringements will be prosecuted

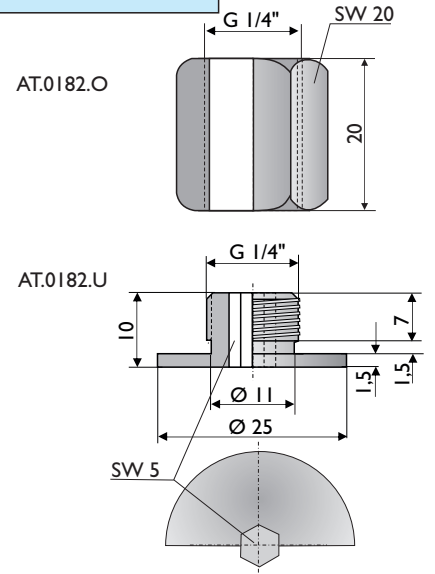
Art. No.: AT.0145
 AG 1/4"



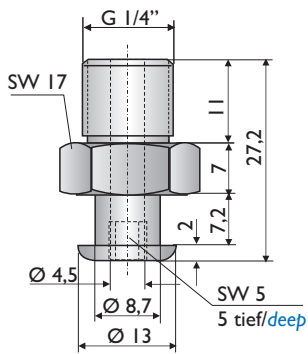
Art. No.: 00 08 81
 AG 1/4"



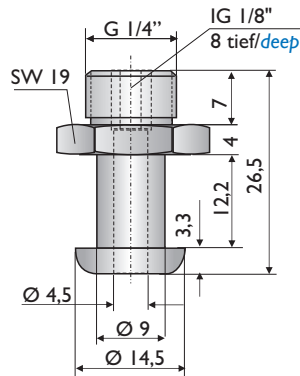
Art. No.: AT.0182.O
 AT.0182.U



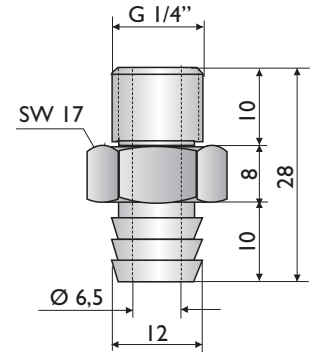
Art. No.: AT.0010
 AG 1/4"



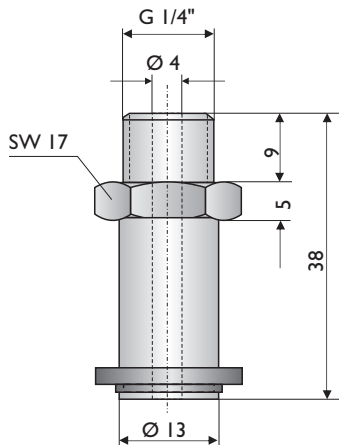
Art. No.: AT.0017
 AG 1/4"



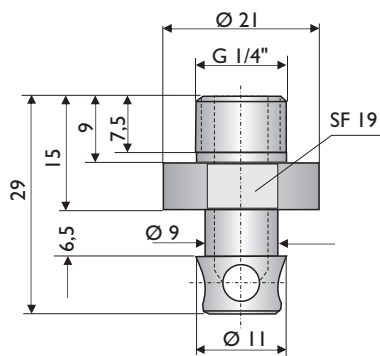
Art. No.: AT.0603
 AG 1/4"



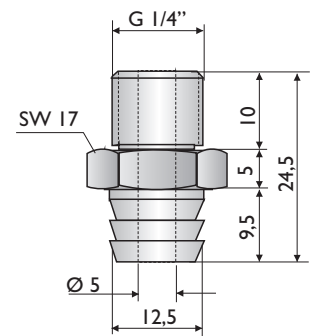
Art. No.: AT.0609
 AG 1/4"



Art. No.: AT.0850
 AG 1/4"



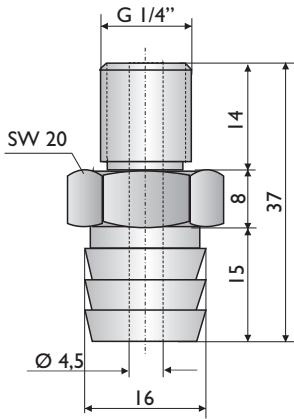
Art. No.: AT.0451
 AG 1/4"



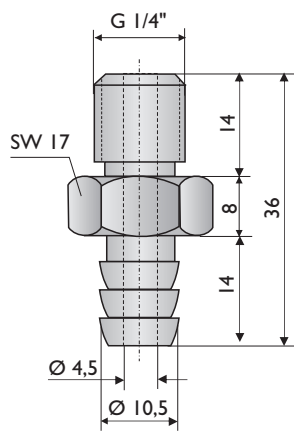
Änderungen im Sinne des technischen Fortschrittes vorbehalten. Copyright by MF Automation.

Specifications and design subject to change without notice. Infringements will be prosecuted

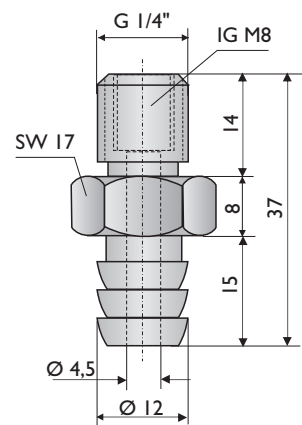
Art. No.: 00 08 09
 AG 1/4"



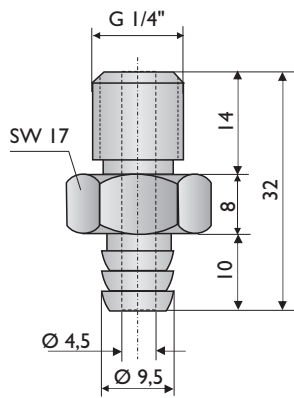
Art. No.: 00 08 10
 AG 1/4"



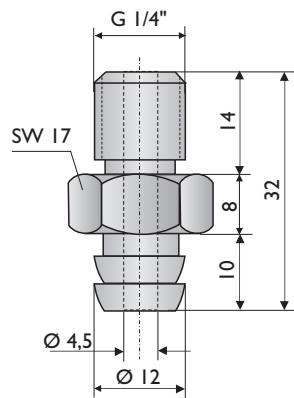
Art. No.: 00 08 15
 AG 1/4"



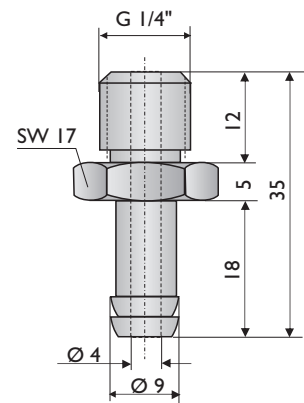
Art. No.: 00 08 18
 AG 1/4"



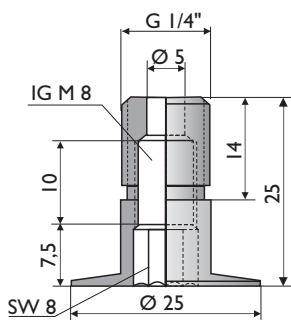
Art. No.: 00 08 20
 AG 1/4"



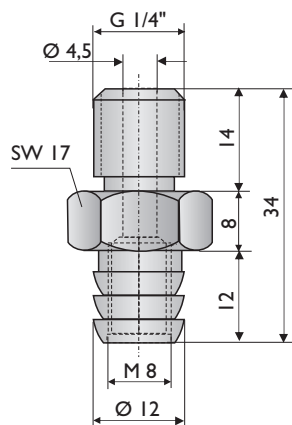
Art. No.: 00 08 19
 AG 1/4"



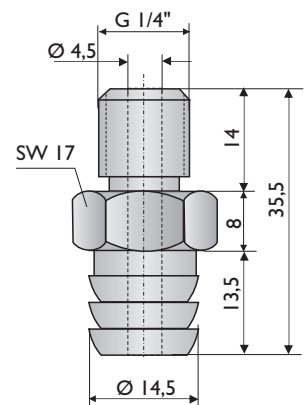
Art. No.: 00 08 22
 AG 1/4"



Art. No.: 00 08 24
 AG 1/4"



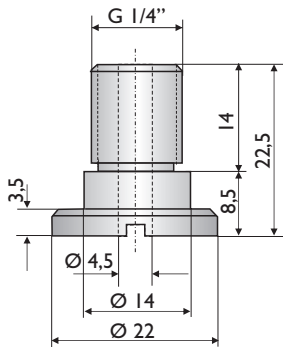
Art. No.: 00 08 26
 AG 1/4"



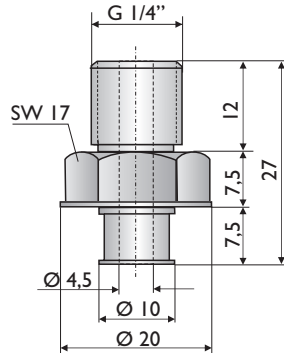
Änderungen im Sinne des technischen Fortschrittes vorbehalten. Copyright by MF Automation.

Specifications and design subject to change without notice. Infringements will be prosecuted

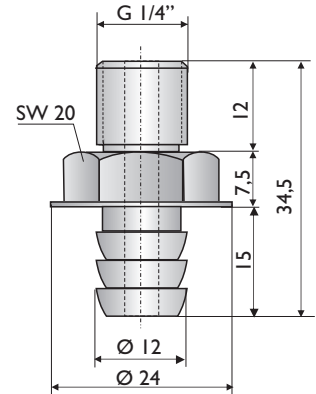
Art. No.: 00 08 81
 AG 1/4"



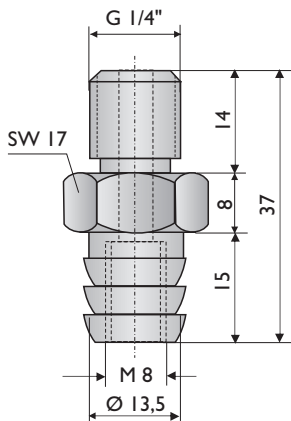
Art. No.: 00 08 135
 AG 1/4"



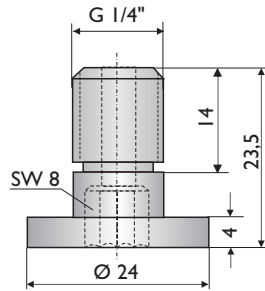
Art. No.: 00 08 148
 AG 1/4"



Art. No.: 00 08 172
 AG 1/4"

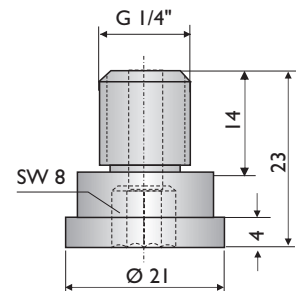


Art. No.: 00 08 248
 AG 1/4"

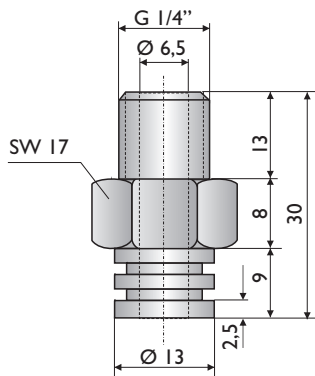


Art. No.: 00 08 250
 AG 1/4"

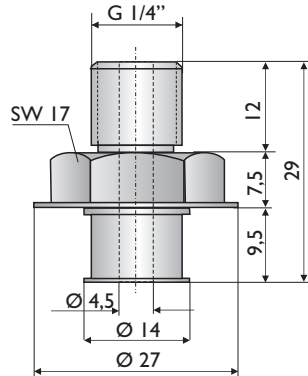
für Spezialsauger/for special suction cup
 Art. No. 02 32 30



Art. No.: AT.0712
 AG 1/4"



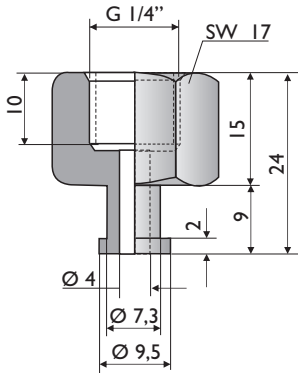
Art. No.: 00 08 142
 AG 1/4"



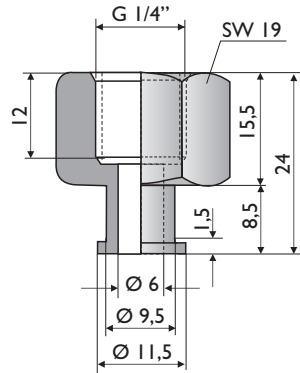
Änderungen im Sinne des technischen Fortschrittes vorbehalten. Copyright by MF Automation.

Specifications and design subject to change without notice. Infringements will be prosecuted

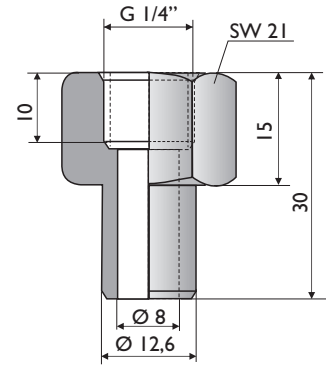
Art. No.: AT.0275
 IG 1/4"



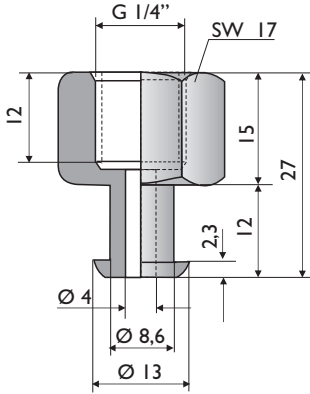
Art. No.: AT.0038
 IG 1/4"



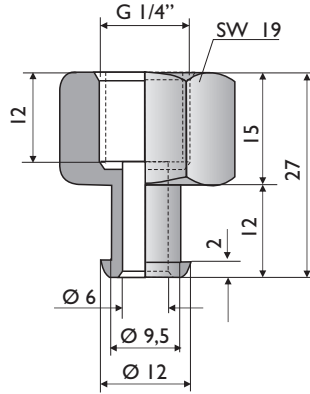
Art. No.: AT.0031
 IG 1/4"



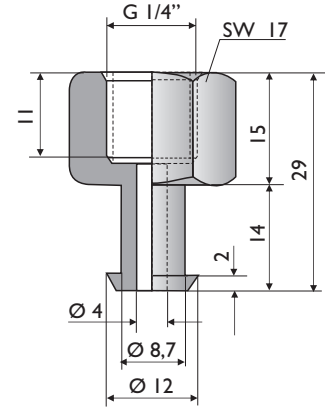
Art. No.: AT.0248
 IG 1/4"



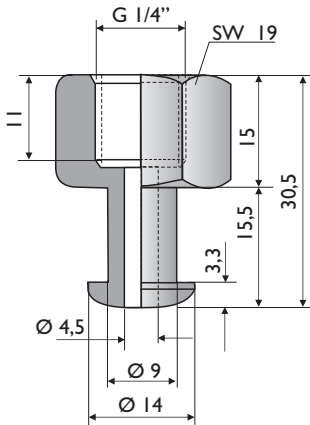
Art. No.: AT.0324
 IG 1/4"



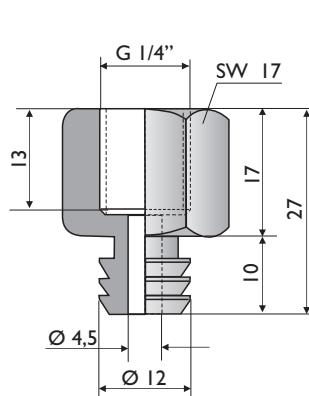
Art. No.: AT.0192
 IG 1/4"



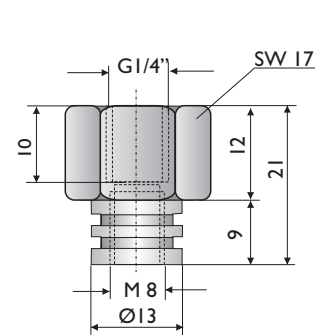
Art. No.: AT.0282
 IG 1/4"



Art. No.: 00 08 21
 IG 1/4"



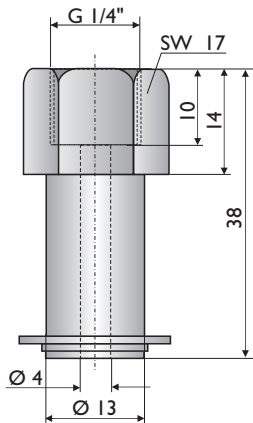
Art. No.: AT.0098
 IG 1/4"



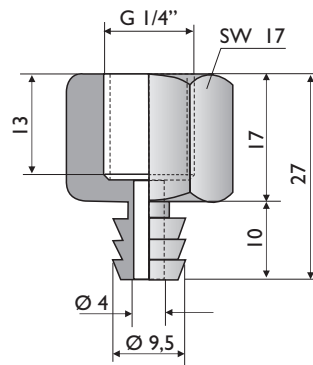
Änderungen im Sinne des technischen Fortschrittes vorbehalten. Copyright by MF Automation.

Specifications and design subject to change without notice. Infringements will be prosecuted

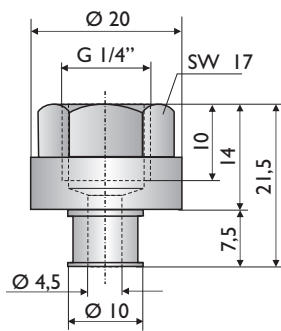
Art. No.: AT.0610
 IG 1/4"



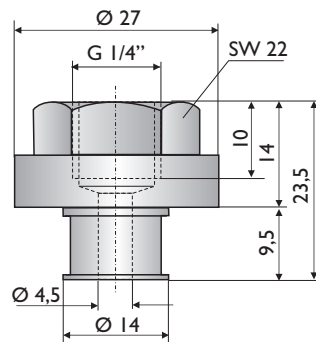
Art. No.: 00 08 50
 IG 1/4"



Art. No.: 00 08 134
 IG 1/4"



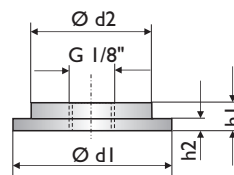
Art. No.: 00 08 141
 IG 1/4"



Änderungen im Sinne des technischen Fortschrittes vorbehalten. Copyright by MF Automation.

Spezial-Anschlusssteile / *Special Fittings*

Art. No.	Ø d1	Ø d2	h1	h2	für Sauger/ <i>for suction cups</i>
AT.0233	17,5	14,9	6,0	3,1	F0.020.027 + F0.025.024
AT.0234	20,5	17,5	6,0	3,0	F0.030.016 + F0.035.008
AT.0235	28,5	25,0	5,5	2,1	F0.040.018 + F0.050.010



Art. No.: Ø
AT.0259 = Ø 6
AT.0262 = G 1/8"
AT.0284 = G 1/4"

für Vakuumsauger/*for vacuum suction cup*
 F0.065.003

Art. No.: AT.0179
 IG 1/4"

für Vakuumsauger/*for vacuum suction cup*
 Art. No. F0.070.001

Art. No.: AT.0180
 IG 1/4"

für Vakuumsauger/*for vacuum suction cup*
 Art. No. F0.100.001

Art. No.: AT.0335
 IG 1/2", Material Alu

für Vakuumsauger/*for vacuum suction cup*
 Art. No. F0.200.001

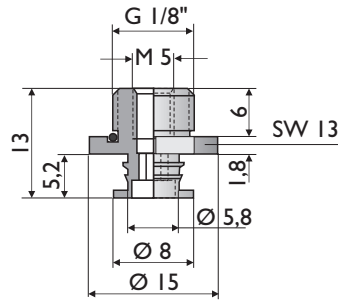
Änderungen im Sinne des technischen Fortschrittes vorbehalten. Copyright by MF Automation.

Specifications and design subject to change without notice. Infringements will be prosecuted

Material: Aluminium

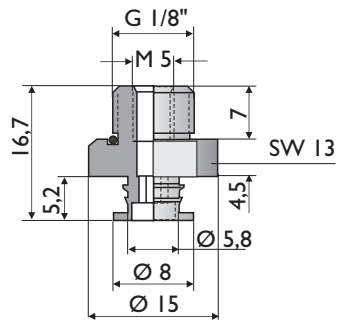
- 1. AT.0802: Standard
- 2. AT.0802.FS: mit Filtersieb
- 3. AT.0802.V: mit Drosselrückschlagventil

- 1. AT.0802: Standard*
- 2. AT.0802.FS: with built in mesh-filter*
- 3. AT.0802.V: with built in efficiency valve*



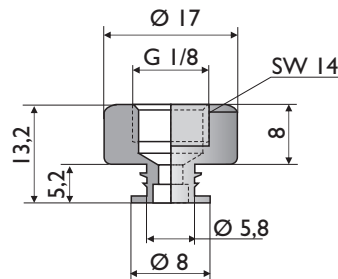
- 1. AT.0803: Standard
- 2. AT.0803.FS: mit Filtersieb
- 3. AT.0803.V: mit Drosselrückschlagventil

- 1. AT.0803: Standard*
- 2. AT.0803.FS: with built in mesh-filter*
- 3. AT.0803.V: with built in efficiency valve*



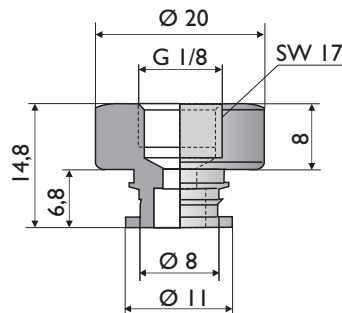
- 1. AT.0809: Standard
- 2. AT.0809.FS: mit Filtersieb
- 3. AT.0809.V: mit Drosselrückschlagventil

- 1. AT.0809: Standard*
- 2. AT.0809.FS: with built in mesh-filter*
- 3. AT.0809.V: with built in efficiency valve*



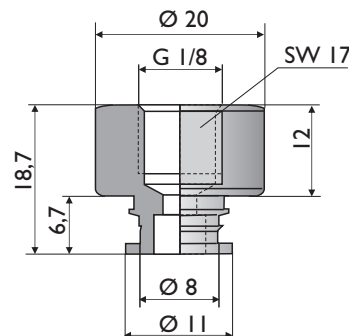
- 1. AT.0810: Standard
- 2. AT.0810.FS: mit Filtersieb
- 3. AT.0810.V: mit Drosselrückschlagventil

- 1. AT.0810: Standard*
- 2. AT.0810.FS: with built in mesh-filter*
- 3. AT.0810.V: with built in efficiency valve*



- 1. AT.0811: Standard
- 2. AT.0811.FS: mit Filtersieb

- 1. AT.0811: Standard*
- 2. AT.0811.FS: with built in mesh-filter*



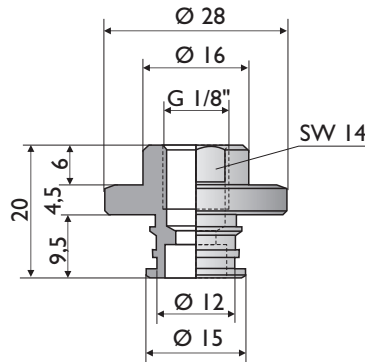
Änderungen im Sinne des technischen Fortschrittes vorbehalten. Copyright by MF Automation.

Specifications and design subject to change without notice. Infringements will be prosecuted

Material: Aluminium

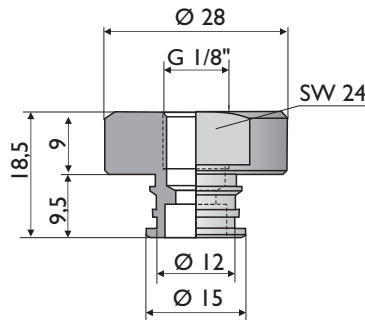
- 1. AT.0812: Standard
- 2. AT.0812.FS: mit Filtersieb
- 3. AT.0812.V: mit Drosselrückschlagventil

- 1. AT.0812: Standard*
- 2. AT.0812.FS: with built in mesh-filter*
- 3. AT.0812.V: with built in efficiency valve*



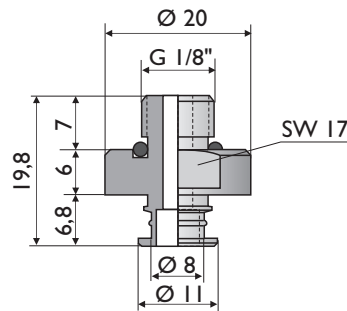
- 1. AT.0813: Standard
- 2. AT.0813.FS: mit Filtersieb
- 3. AT.0813.V: mit Drosselrückschlagventil

- 1. AT.0813: Standard*
- 2. AT.0813.FS: with built in mesh-filter*
- 3. AT.0813.V: with built in efficiency valve*



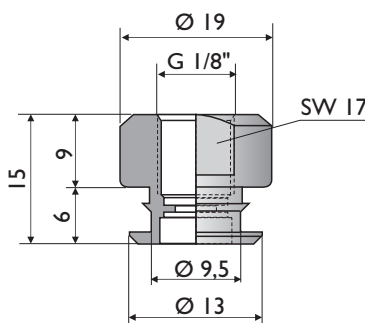
- 1. AT.0814: Standard
- 2. AT.0814.FS: mit Filtersieb
- 3. AT.0814.V: mit Drosselrückschlagventil

- 1. AT.0814: Standard*
- 2. AT.0814.FS: with built in mesh-filter*
- 3. AT.0814.V: with built in efficiency valve*



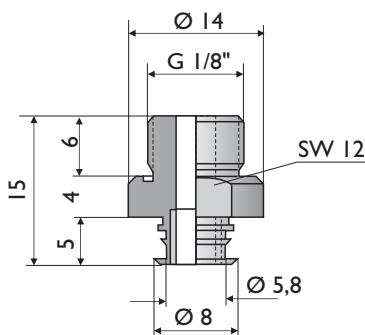
- 1. AT.0815: Standard
- 2. AT.0815.FS: mit Filtersieb

- 1. AT.0815: Standard*
- 2. AT.0815.FS: with built in mesh-filter*



- 1. AT.0819.FS: mit Filtersieb

- 1. AT.0819.FS: with built in mesh-filter*



Änderungen im Sinne des technischen Fortschrittes vorbehalten. Copyright by MF Automation.

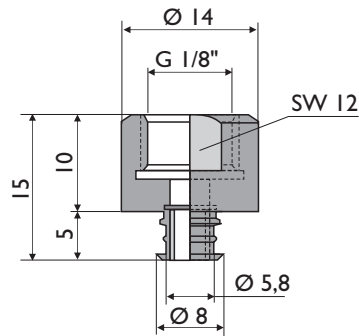
Specifications and design subject to change without notice. Infringements will be prosecuted

Anschlusssteile

Material: Aluminium

1. AT.0820.FS: mit Filtersieb

1. AT.0820.FS: with built in mesh-filter



1. AT.0823: Standard

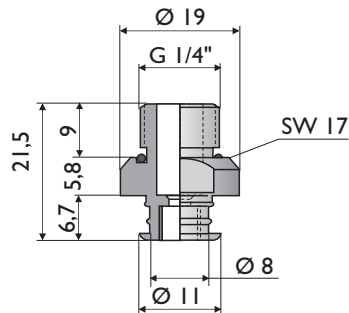
2. AT.0823.FS: mit Filtersieb

3. AT.0823.V: mit Drosselrückschlagventil

1. AT.0823: Standard

2. AT.0823.FS: with built in mesh-filter

3. AT.0823.V: with built in efficiency valve



1. AT.0824: Standard

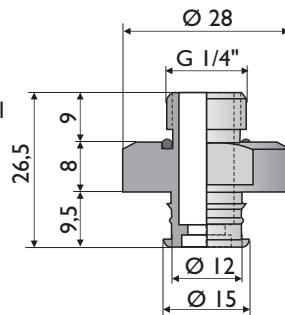
2. AT.0824.FS: mit Filtersieb

3. AT.0824.V: mit Drosselrückschlagventil

1. AT.0824: Standard

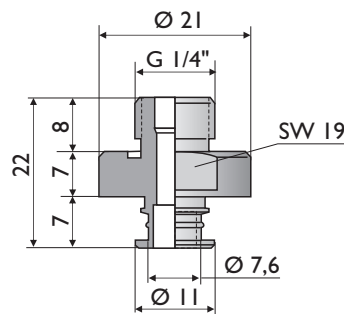
2. AT.0824.FS: with built in mesh-filter

3. AT.0824.V: with built in efficiency valve



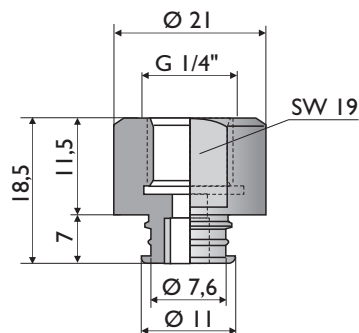
1. AT.0826.FS: mit Filtersieb

1. AT.0826.FS: with built in mesh-filter



1. AT.0827.FS: mit Filtersieb

1. AT.0827.FS: with built in mesh-filter



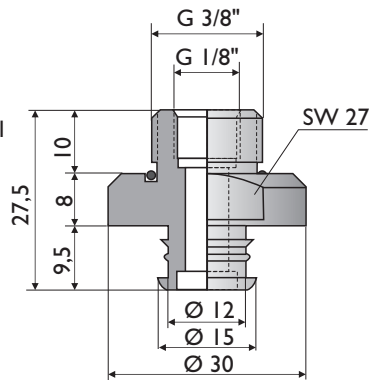
Änderungen im Sinne des technischen Fortschrittes vorbehalten. Copyright by MF Automation.

Specifications and design subject to change without notice. Infringements will be prosecuted

Material: Aluminium

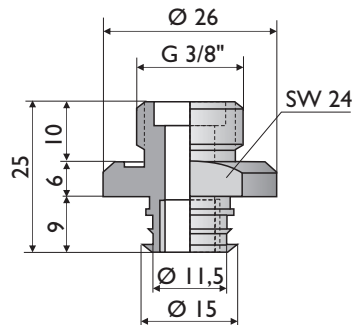
- 1. AT.0828: Standard
- 2. AT.0828.FS: mit Filtersieb
- 3. AT.0828.V: mit Drosselrückschlagventil

- 1. AT.0828: Standard*
- 2. AT.0828.FS: with built in mesh-filter*
- 3. AT.0828.V: with built in efficiency valve*



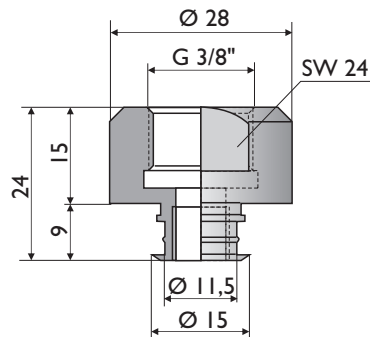
- 1. AT.0830.FS: mit Filtersieb

- 1. AT.0830.FS: with built in mesh-filter*



- 1. AT.0831.FS: mit Filtersieb

- 1. AT.0831.FS: with built in mesh-filter*



Änderungen im Sinne des technischen Fortschrittes vorbehalten. Copyright by MF Automation.

Specifications and design subject to change without notice. Infringements will be prosecuted

Anschlusssteile