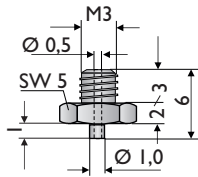
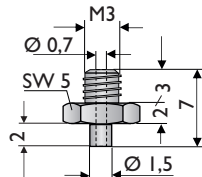


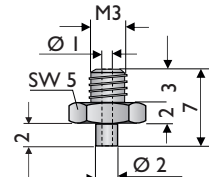
Art. No.: AT.0626
 AG M3



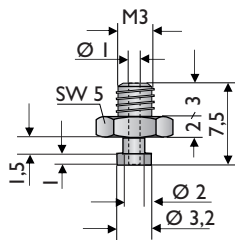
Art. No.: AT.0611
 AG M3



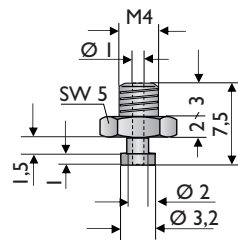
Art. No.: AT.0625
 AG M3



Art. No.: AT.0614
 AG M3

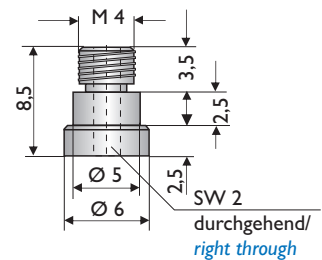


Art. No.: AT.0111
 AG M4

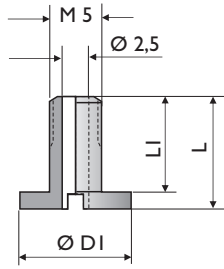


Art. No.: AT.0039
 AG M4

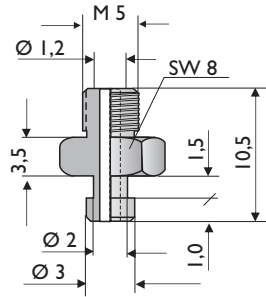
Material:
 Messing vernickelt/
Nickled brass



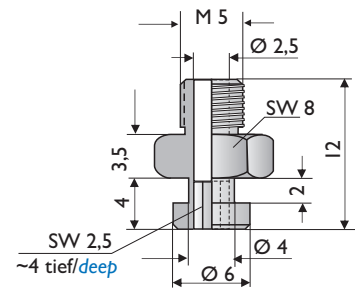
| | | | |
|-----------------|----|----|----|
| Art. No.: | DI | L | LI |
| AT.0310 - AG M5 | 8 | 9 | 7 |
| AT.0311 - AG M5 | 11 | 11 | 9 |



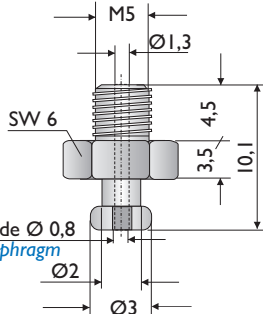
Art. No.: AT.0300
AG M5



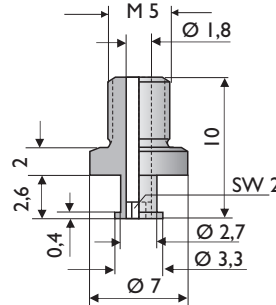
Art. No.: AT.0536
AG M5



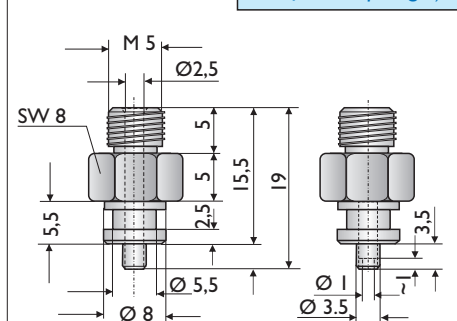
Art. No.: AT.0300-08
AG M5



Art. No.: AT.0283
AG M5

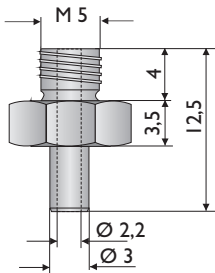


Art. No.: AT.0137
AG M5

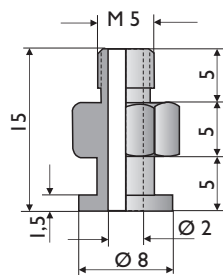


Art. No.: AT.0137-I
(mit Festblende/
with fixed diaphragm)

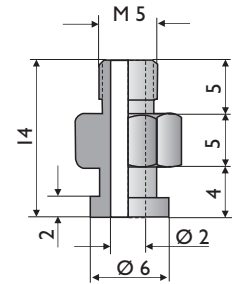
Art. No.: AT.0606
AG M5



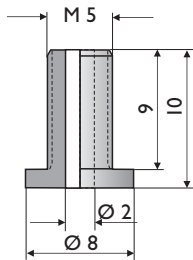
Art. No.: 00 08 236
AG M5



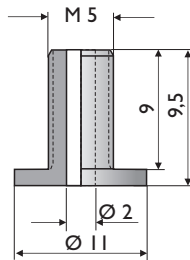
Art. No.: 00 08 237
AG M5



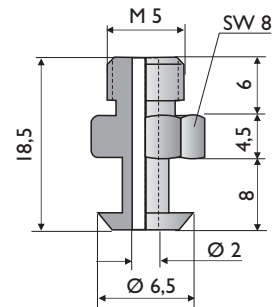
Art. No.: 00 08 241
AG M5



Art. No.: 00 08 242
AG M5



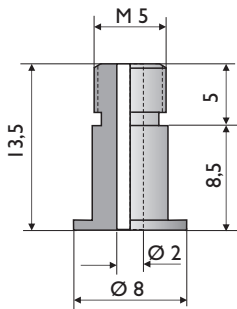
Art. No.: 00 08 245
AG M5



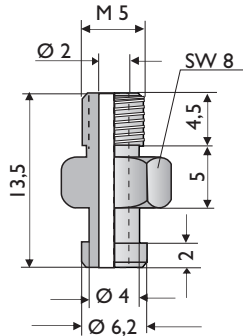
Änderungen im Sinne des technischen Fortschrittes vorbehalten. Copyright by MF Automation.

Specifications and design subject to change without notice. Infringements will be prosecuted

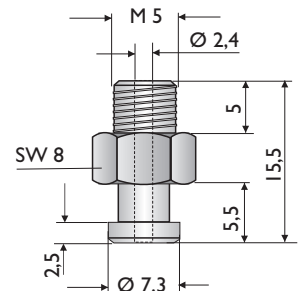
Art. No.: 00 08 249
 AG M5



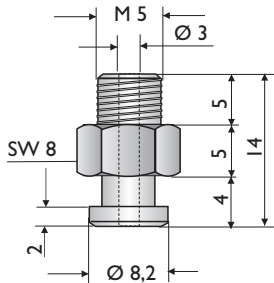
Art. No.: AT.0650
 AG M5



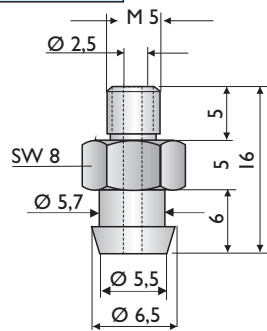
Art. No.: AT.0094
 AG M5



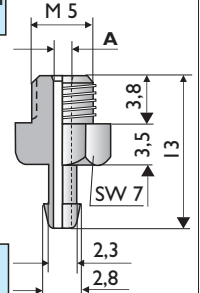
Art. No.: AT.0200
 AG M5



Art. No.: AT.0613
 AG M5 - Alu blank

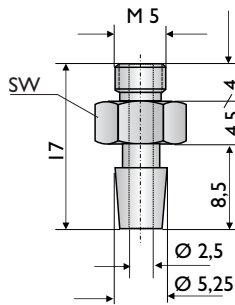


Art. No.: AT.0153.GR -AG M5
 Saugbohrung **A** = 1,6 mm
 Suction hole **A** = 1,6 mm

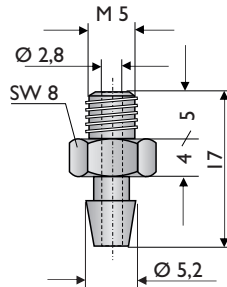


Art. No.: AT.0153.MSV - AG M5
 Saugbohrung **A** = 1,4 mm
 Suction hole **A** = 1,4 mm

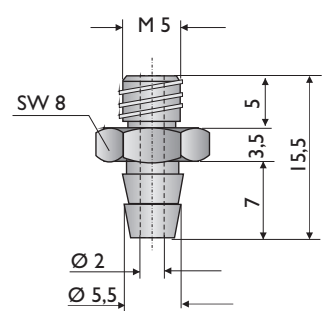
Art. No.: 00 08 06
 AG M5



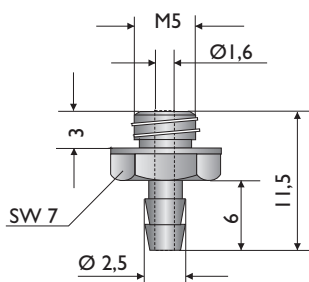
Art. No.: AT.0134
 AG M5



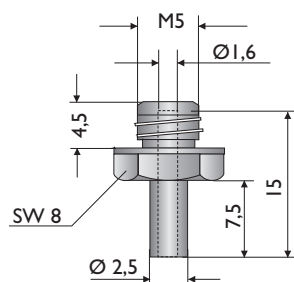
Art. No.: AT.0624
 AG M5



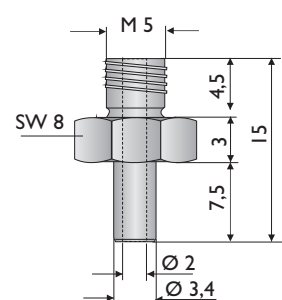
Art. No.: AT.0701
 AG M5



Art. No.: AT.0701/29
 AG M5



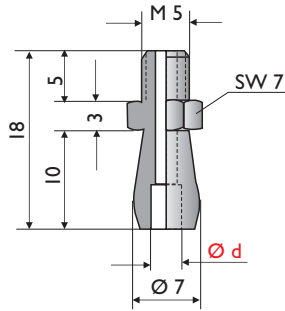
Art. No.: AT.0022
 AG M5



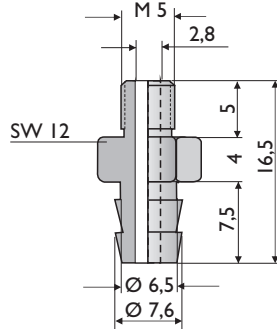
Änderungen im Sinne des technischen Fortschrittes vorbehalten. Copyright by MF Automation.

Specifications and design subject to change without notice. Infringements will be prosecuted

Art. No.: 00 08 01
 Ø d = 2,9 mm
 AG M5

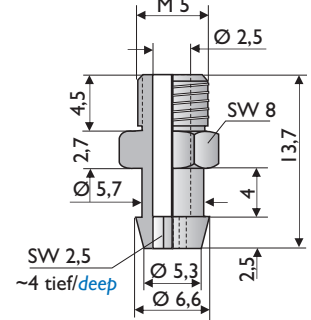


Art. No.: 00 08 02
 Ø d = 4,75 mm
 AG M5

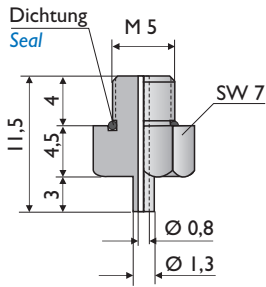


Art. No.: AT.0702
 AG M5 - Alu blank

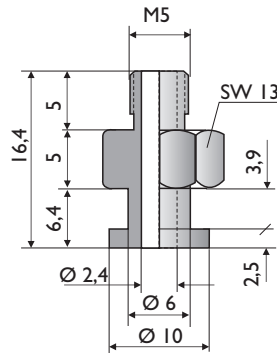
Art. No.: AT.0537 (VSA 40)
 AG M5



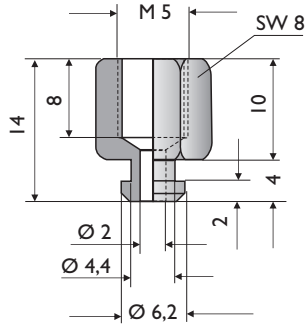
Art. No.: AT.0711
 AG M5



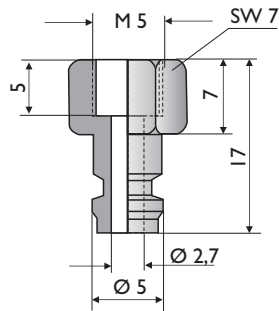
Art. No.: AT.0713
 AG M5- Alu blank



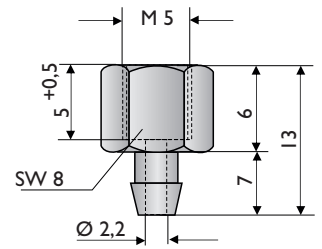
Art. No.: AT.0005
 IG M5



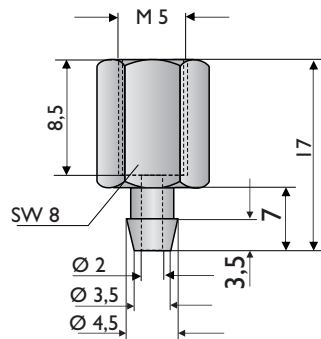
Art. No.: AT.0239
 IG M5



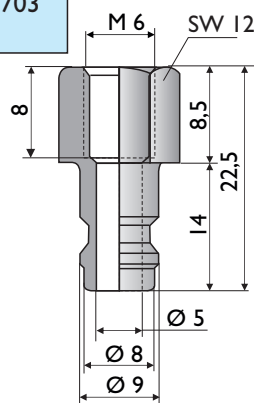
Art. No.: AT.0705
 IG M5 - MS



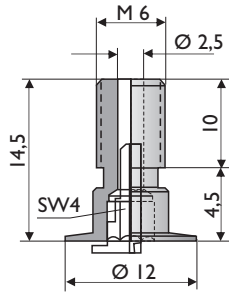
Art. No.: AT.0347
 IG M5



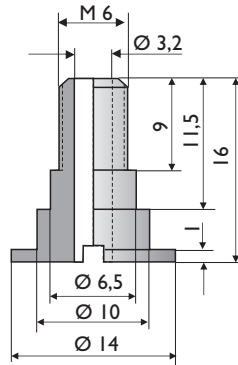
Art. No.: AT.0703
 IG M6



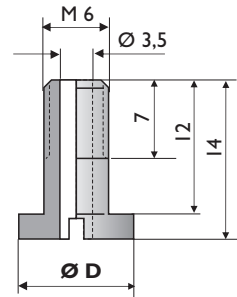
Art. No.: 00 08 08
 AG M6, MS vernickelt
Brass nickel plated



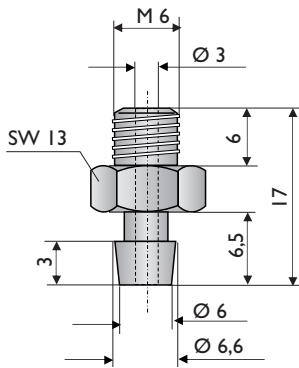
Art. No.: AT.0253
 AG M6



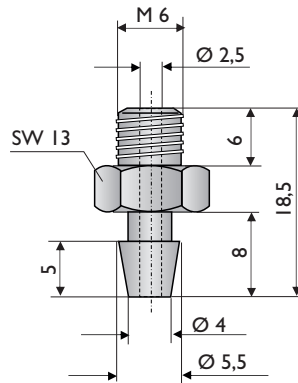
Art. No.: AT.03 12.MSV - Ø D = 10 mm
 AG M6 AT.03 12.Alu - Ø D = 11 mm



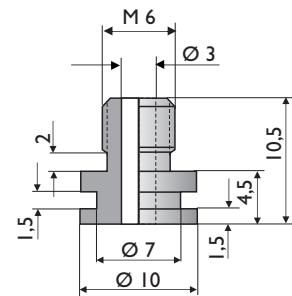
Art. No.: AT.0103
 AG M6
 Material Alu



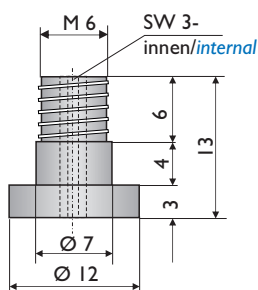
Art. No.: AT.0104
 AG M6
 Material Alu



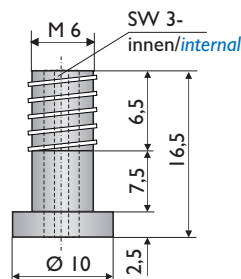
Art. No.: AT.0105
 AG M6



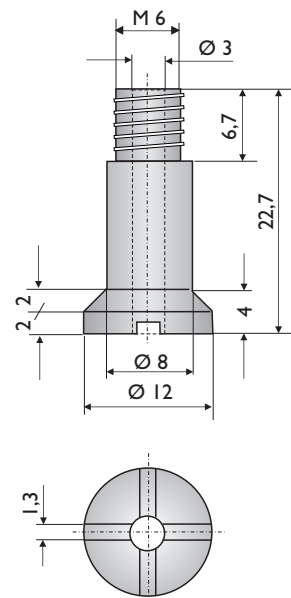
Art. No.: AT.0036
 AG M6



Art. No.: AT.0057
 AG M6



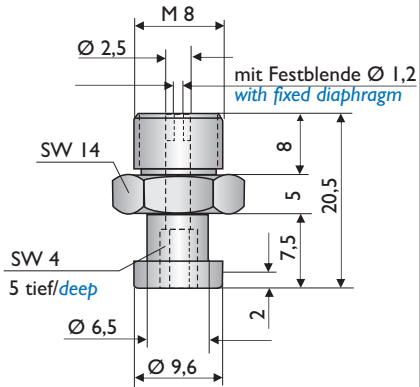
Art. No.: AT.0601
 AG M6
 Edestahl/stainless steel



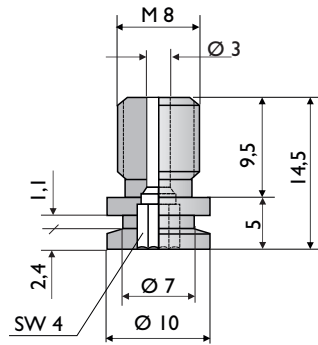
Änderungen im Sinne des technischen Fortschrittes vorbehalten. Copyright by MF Automation.

Specifications and design subject to change without notice. Infringements will be prosecuted

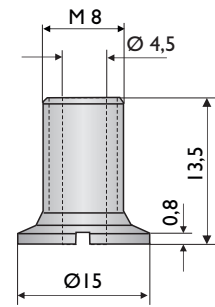
Art. No.: AT.0001-2
 AG M 8



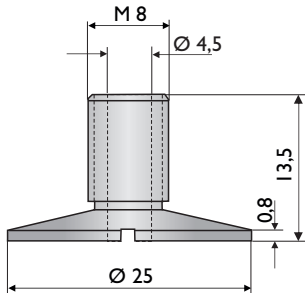
Art. No.: 00 08 07
 AG M 8



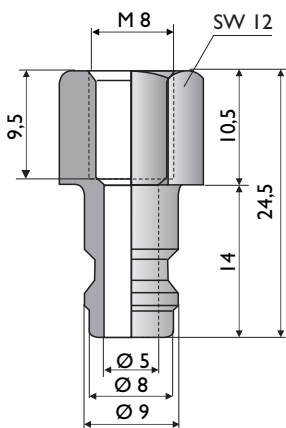
Art. No.: 00 20 14
 AG M 8



Art. No.: 00 20 13
 AG M 8



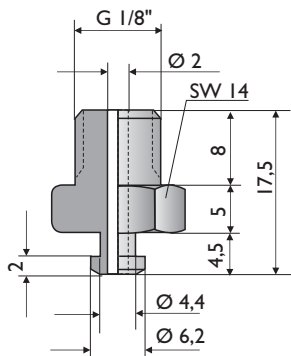
Art. No.: AT.0704
 IG M 8



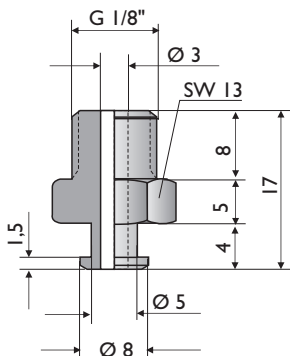
Änderungen im Sinne des technischen Fortschrittes vorbehalten. Copyright by MF Automation.

Specifications and design subject to change without notice. Infringements will be prosecuted

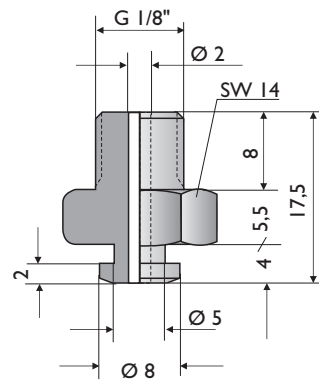
Art. No.: AT.0009
 AG 1/8"



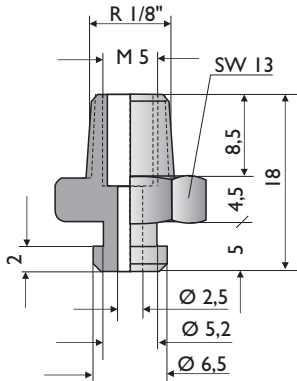
Art. No.: AT.0064
 AG 1/8"



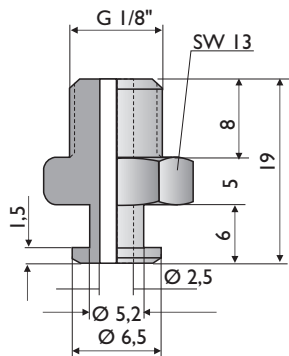
Art. No.: AT.0021
 AG 1/8"



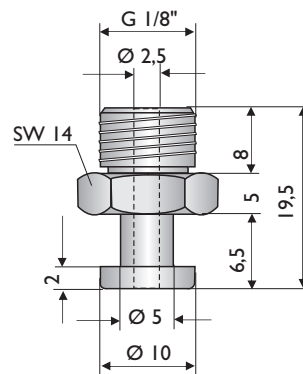
Art. No.: AT.0188
 AG R1/8"
 Material POM



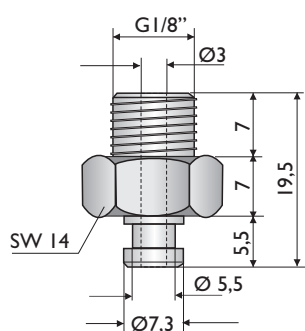
Art. No.: AT.0063
 AG 1/8"



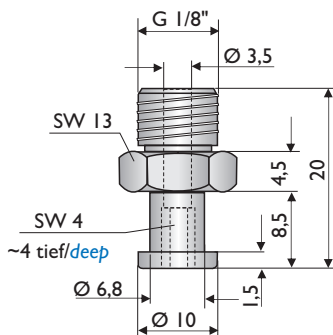
Art. No.: AT.0006
 AG 1/8"
 Material Alu



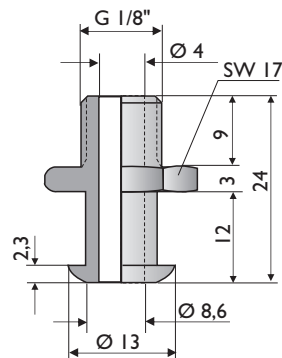
Art. No.: AT.0095
 AG 1/8"



Art. No.: AT.0538
 AG 1/8"

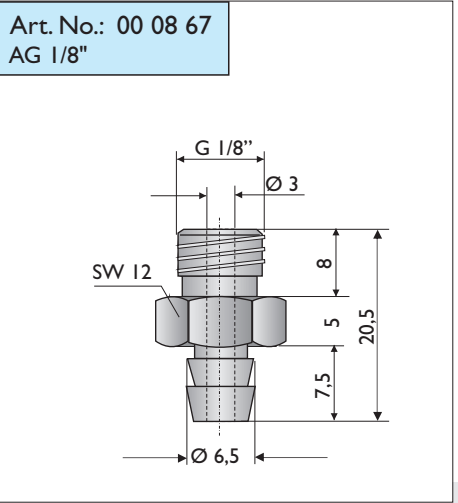
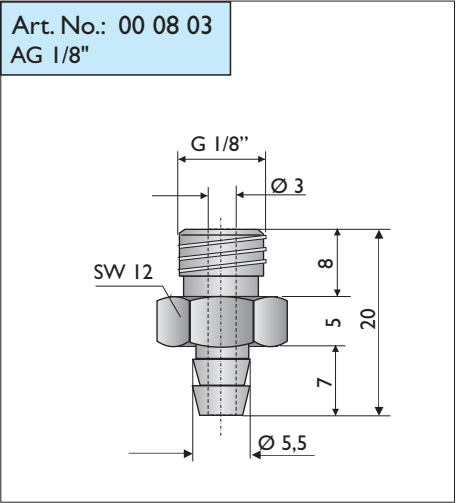
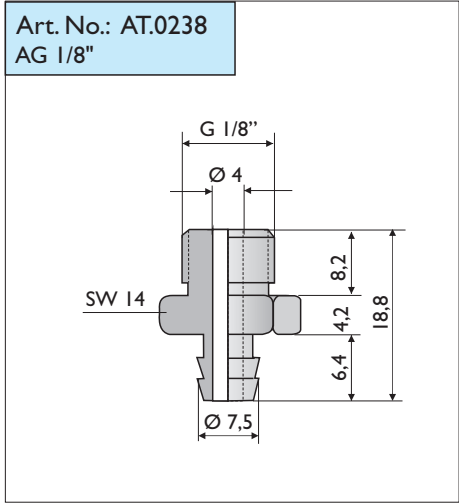
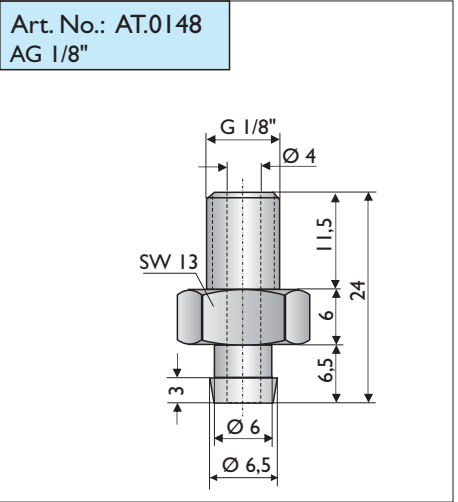
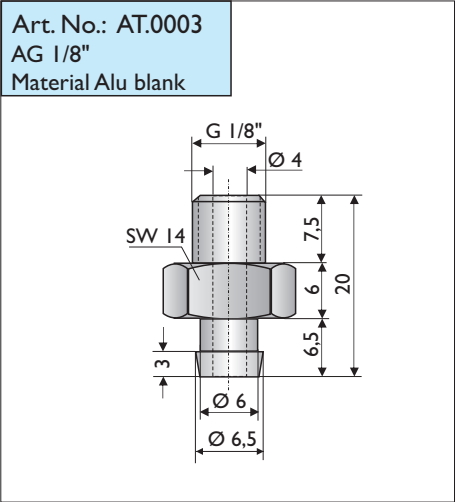
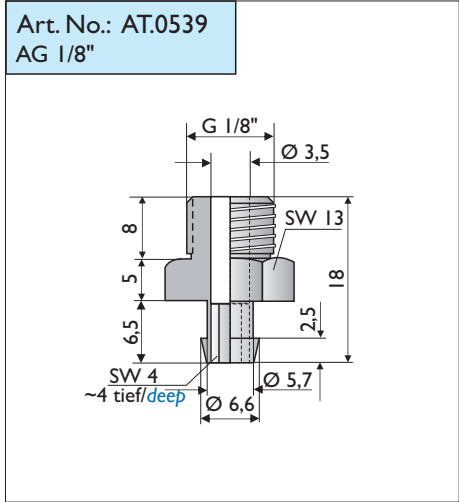
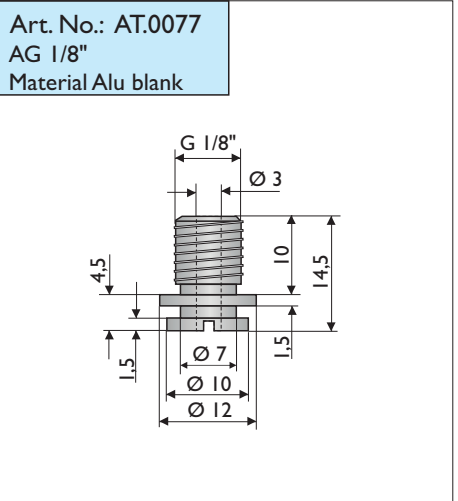
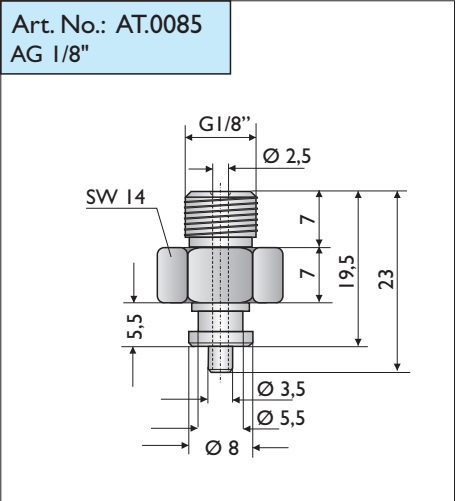
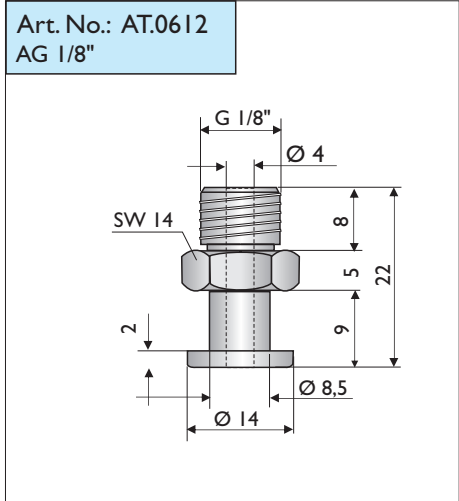


Art. No.: AT.0093
 AG 1/8"



Änderungen im Sinne des technischen Fortschrittes vorbehalten. Copyright by MF Automation.

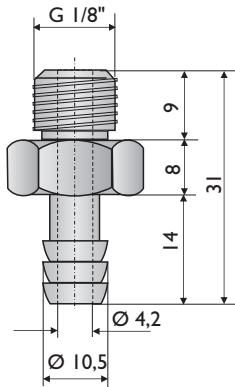
Specifications and design subject to change without notice. Infringements will be prosecuted



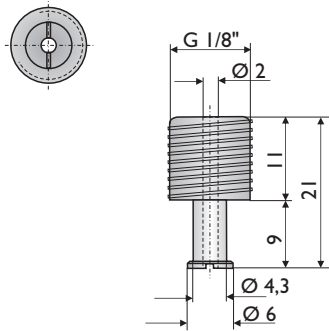
Änderungen im Sinne des technischen Fortschrittes vorbehalten. Copyright by MF Automation.

Specifications and design subject to change without notice. Infringements will be prosecuted

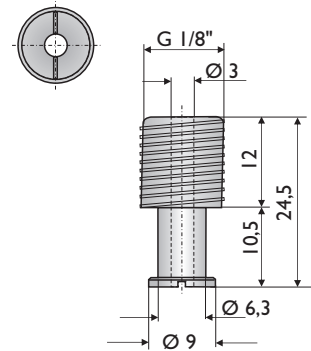
Art. No.: AT.0132
 AG 1/8"
 Material Alu



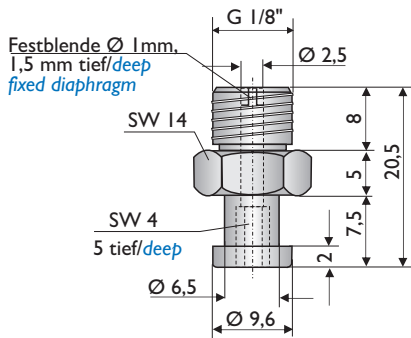
Art. No.: AT.0242
 AG 1/8"



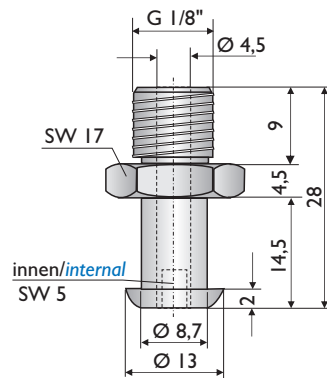
Art. No.: AT.0147
 AG 1/8"



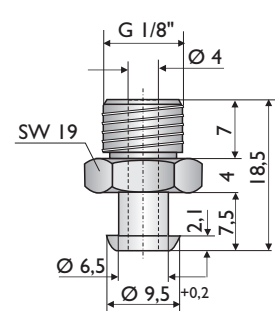
Art. No.: AT.0001-1
 AG 1/8"



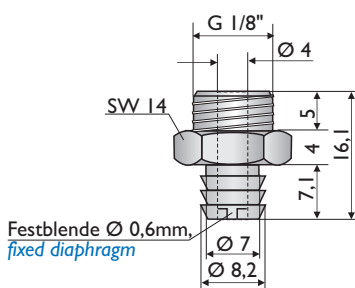
Art. No.: AT.0002.SW5
 AG 1/8"



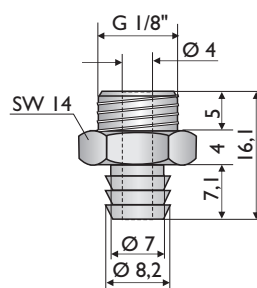
Art. No.: AT.0015
 AG 1/8"



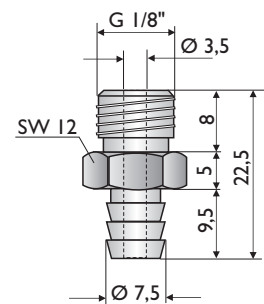
Art. No.: AT.0567
 AG 1/8"



Art. No.: AT.0567-4
 AG 1/8"



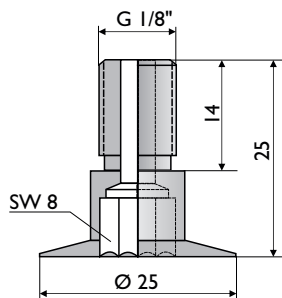
Art. No.: 00 08 05
 AG 1/8"



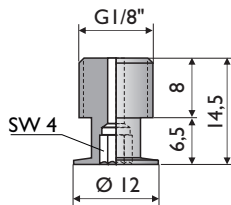
Änderungen im Sinne des technischen Fortschrittes vorbehalten. Copyright by MF Automation.

Specifications and design subject to change without notice. Infringements will be prosecuted

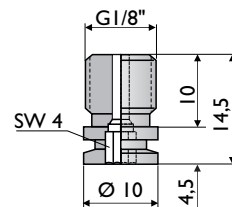
Art. No.: 00 08 44
 AG 1/8"
 Material Alu



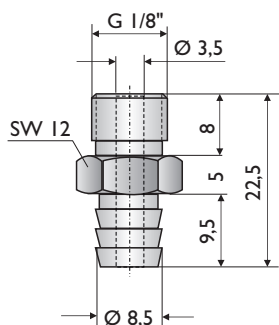
Art. No.: 00 08 60
 AG 1/8"
 Material Messing/Brass



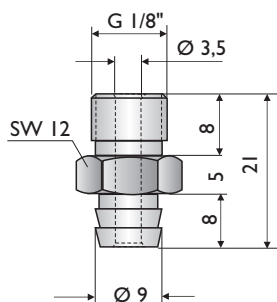
Art. No.: 00 08 61
 AG 1/8"
 Material Messing/Brass



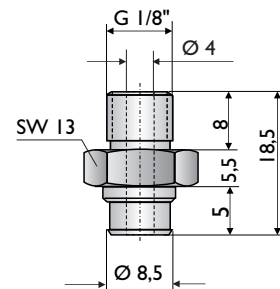
Art. No.: 00 08 82
 AG 1/8"
 Material Messing/Brass



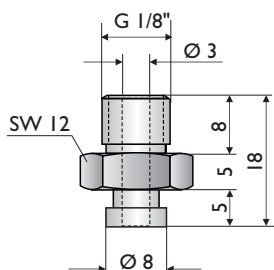
Art. No.: 00 08 101
 AG 1/8"
 Material Messing/Brass



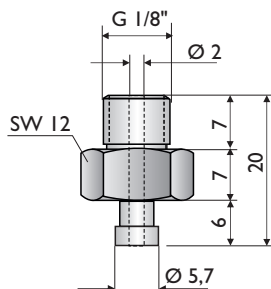
Art. No.: 00 08 133
 AG 1/8"
 Material Alu



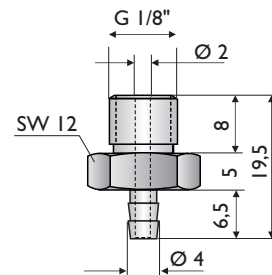
Art. No.: 00 08 146
 AG 1/8"
 Material Messing/Brass



Art. No.: 00 08 238
 AG 1/8"
 Material Messing/Brass



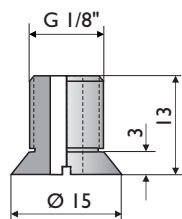
Art. No.: 00 08 239
 AG 1/8"
 Material Messing/Brass



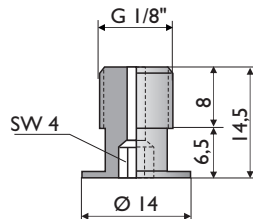
Änderungen im Sinne des technischen Fortschrittes vorbehalten. Copyright by MF Automation.

Specifications and design subject to change without notice. Infringements will be prosecuted

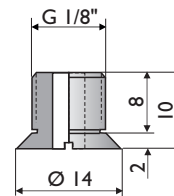
Art. No.: 00 08 243
 AG 1/8"
 Material Messing/Brass



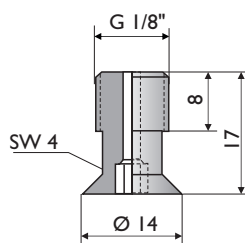
Art. No.: 00 08 244
 AG 1/8"
 Material Messing/Brass



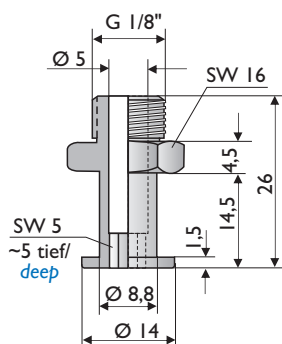
Art. No.: 00 08 246
 AG 1/8"
 Material Messing/Brass



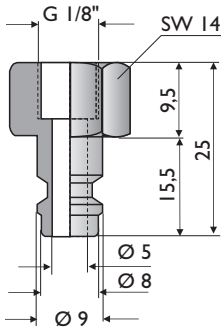
Art. No.: 00 08 247
 AG 1/8"
 Material Messing/Brass



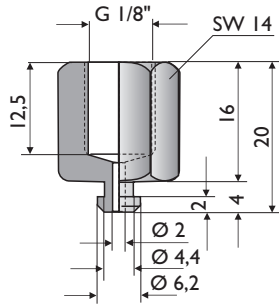
Art. No.: AT.0541
 AG 1/8"



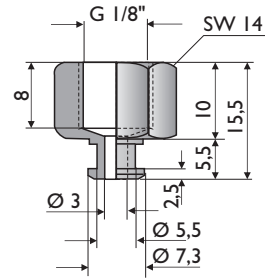
Art. No.: AT.0240
 IG 1/8"



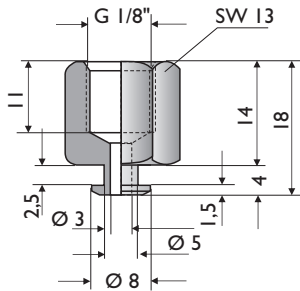
Art. No.: AT.0007
 IG 1/8"



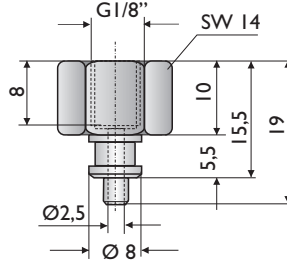
Art. No.: AT.0096
 IG 1/8"



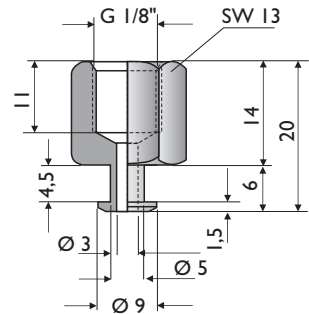
Art. No.: AT.0065
 IG 1/8"



Art. No.: AT.0086
 IG 1/8"

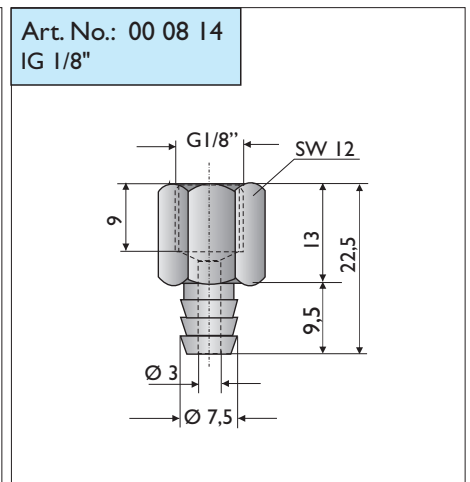
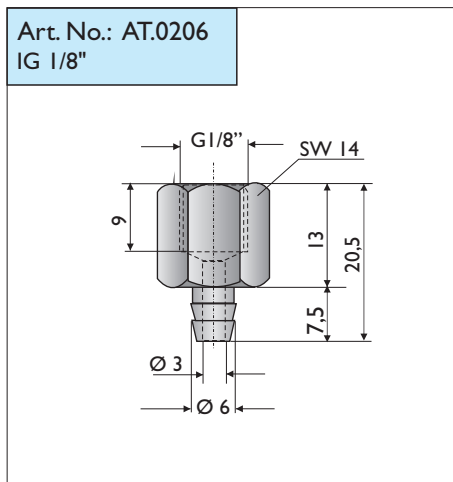
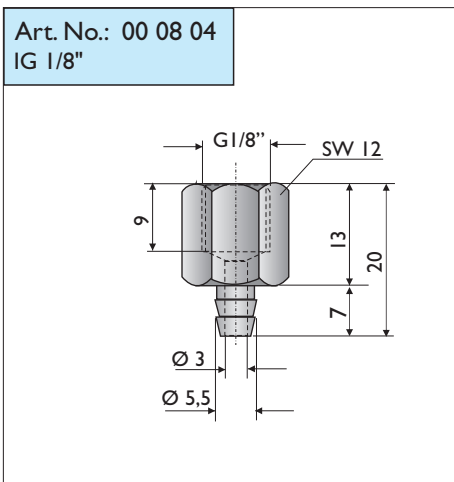
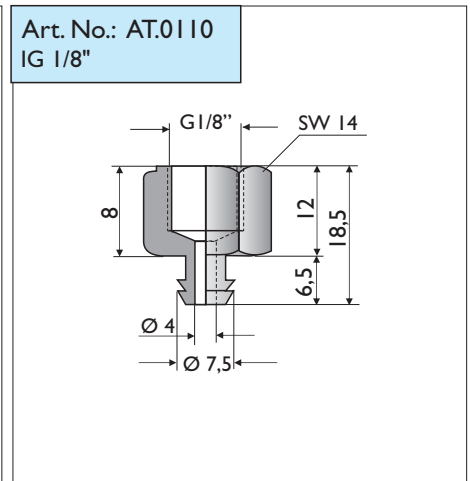
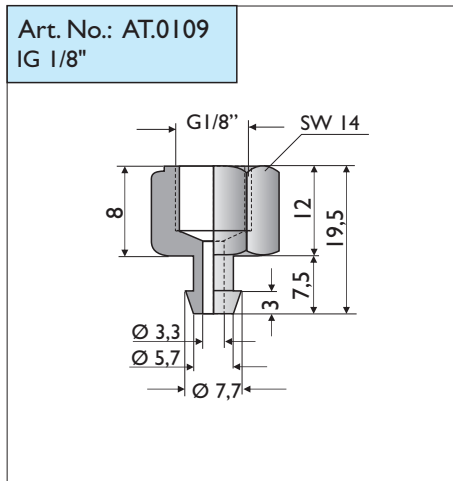
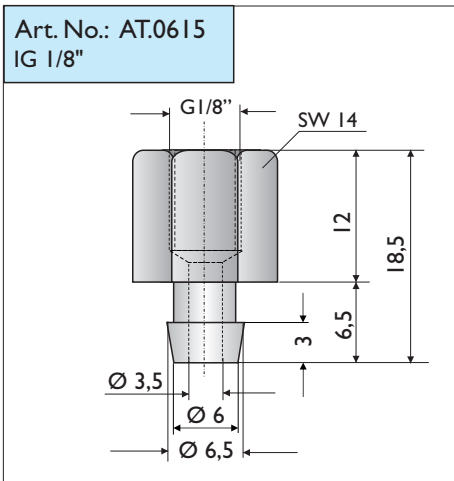
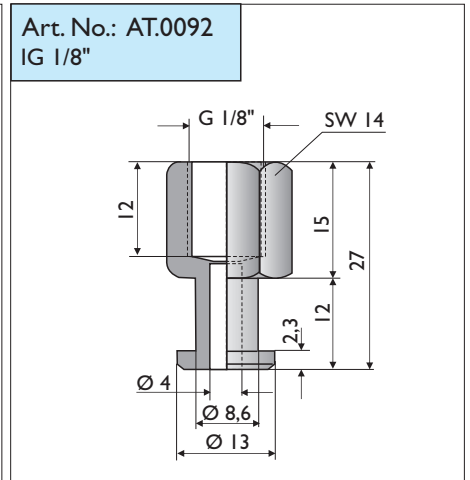
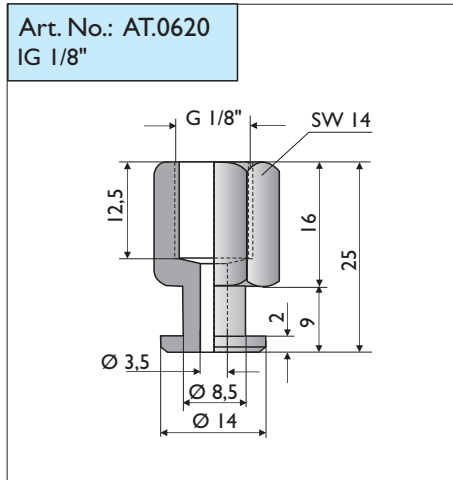
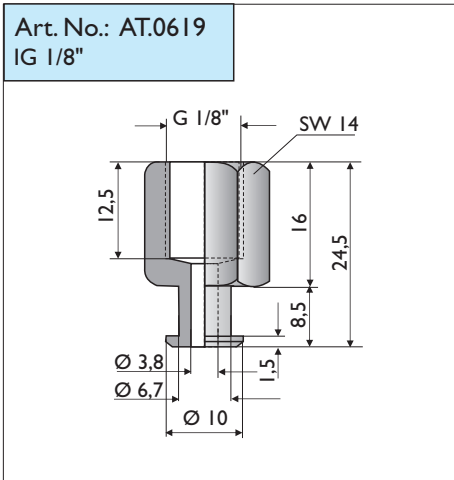


Art. No.: AT.0061
 IG 1/8"



Änderungen im Sinne des technischen Fortschrittes vorbehalten. Copyright by MF Automation.

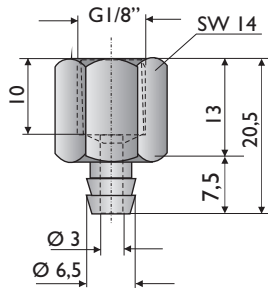
Specifications and design subject to change without notice. Infringements will be prosecuted



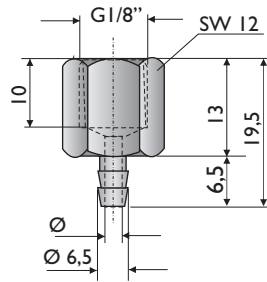
Änderungen im Sinne des technischen Fortschrittes vorbehalten. Copyright by MF Automation.

Specifications and design subject to change without notice. Infringements will be prosecuted

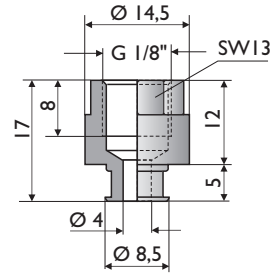
Art. No.: 00 08 64
 IG 1/8"



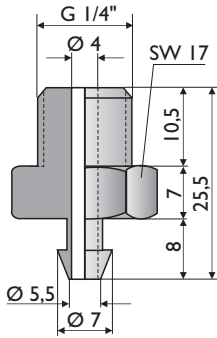
Art. No.: 00 08 240
 IG 1/8"



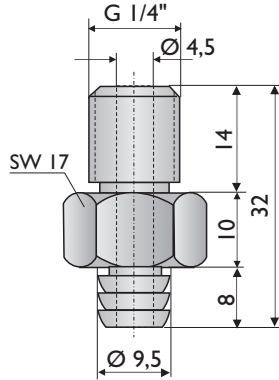
Art. No.: 00 08 132
 IG 1/8"



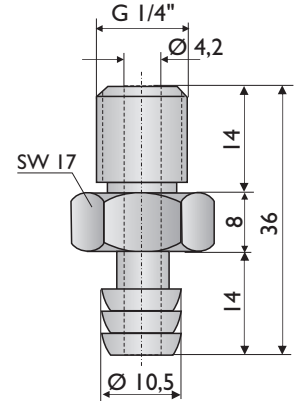
Art. No.: AT.0194
 AG 1/4"



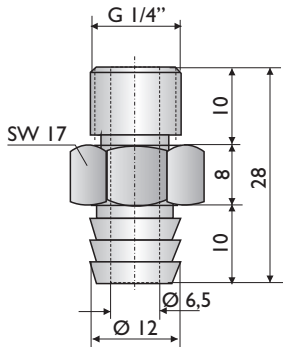
Art. No.: 00 08 18
 AG 1/4"



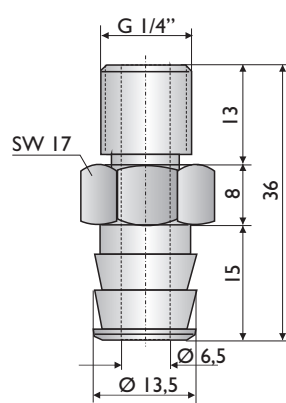
Art. No.: 00 08 10
 AG 1/4"



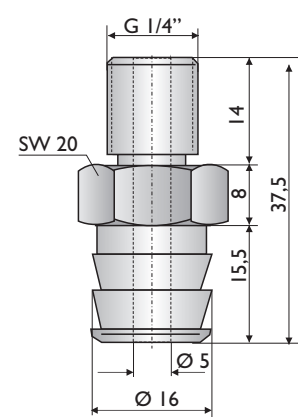
Art. No.: AT.0603
 AG 1/4"



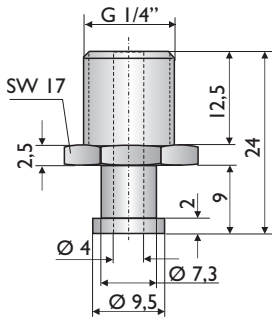
Art. No.: AT.0049
 AG 1/4"



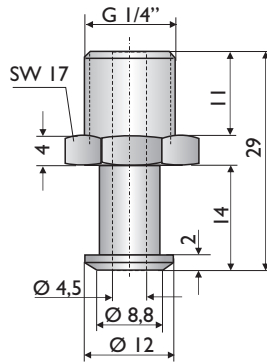
Art. No.: 00 08 09
 AG 1/4"



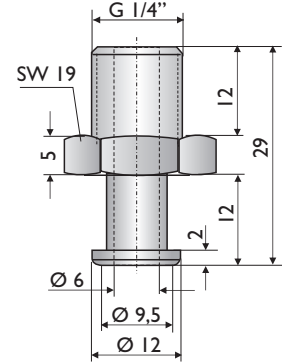
Art. No.: AT.0274
 AG 1/4"



Art. No.: AT.0190
 AG 1/4"



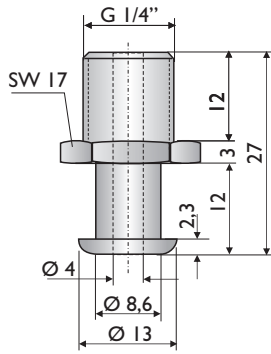
Art. No.: AT.0204
 AG 1/4"



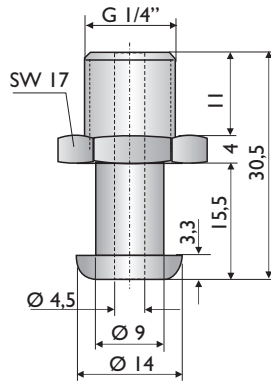
Änderungen im Sinne des technischen Fortschrittes vorbehalten. Copyright by MF Automation.

Specifications and design subject to change without notice. Infringements will be prosecuted

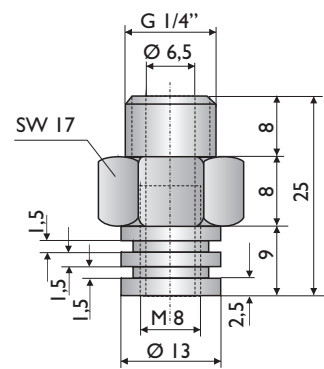
Art. No.: AT.0249
 AG 1/4"



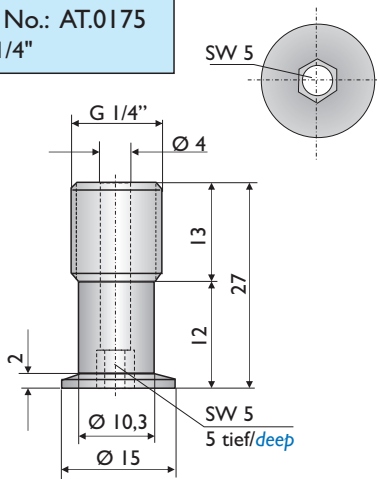
Art. No.: AT.0281
 AG 1/4"



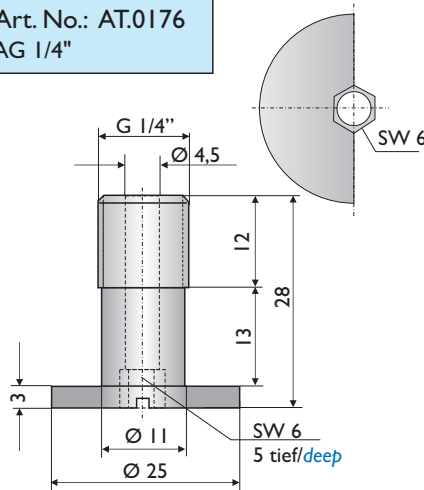
Art. No.: AT.0097
 AG 1/4"



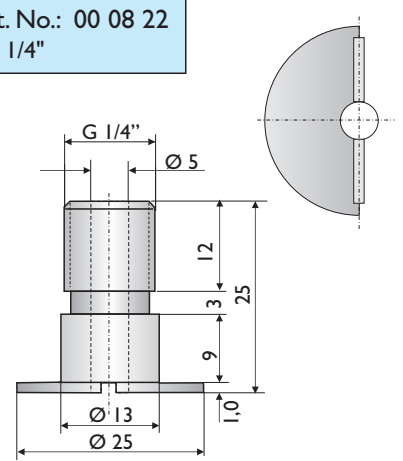
Art. No.: AT.0175
 AG 1/4"



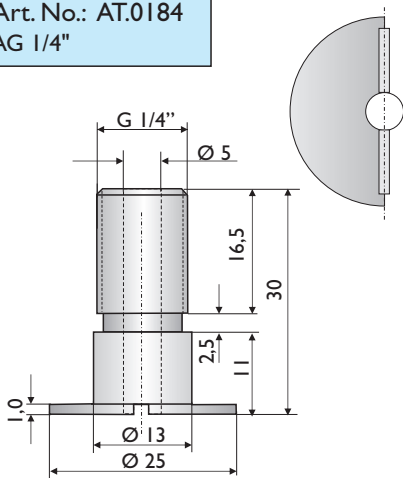
Art. No.: AT.0176
 AG 1/4"



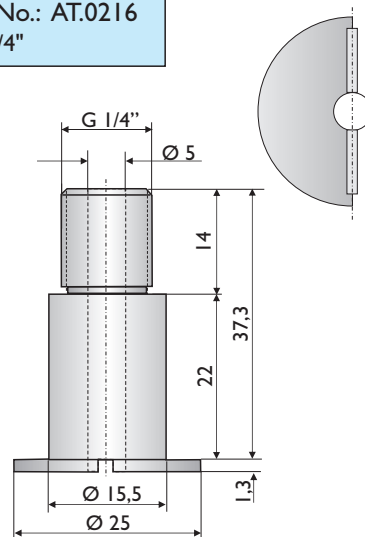
Art. No.: 00 08 22
 AG 1/4"



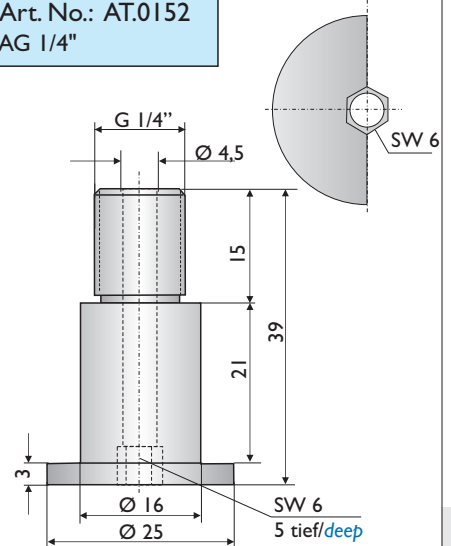
Art. No.: AT.0184
 AG 1/4"



Art. No.: AT.0216
 AG 1/4"



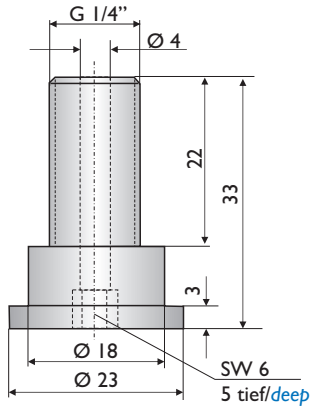
Art. No.: AT.0152
 AG 1/4"



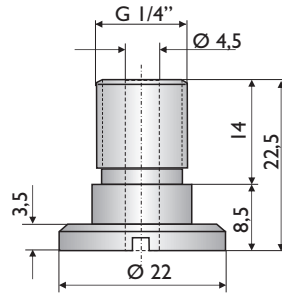
Änderungen im Sinne des technischen Fortschrittes vorbehalten. Copyright by MF Automation.

Specifications and design subject to change without notice. Infringements will be prosecuted

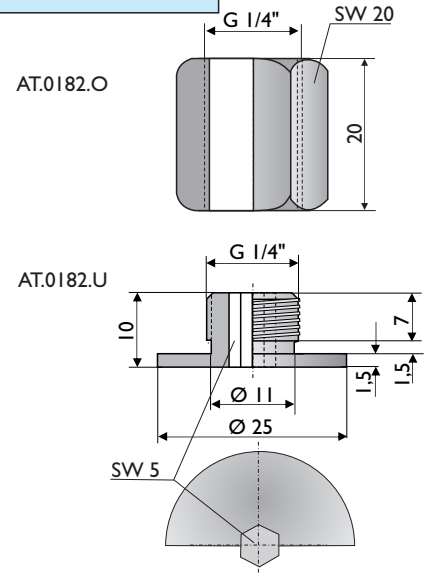
Art. No.: AT.0145
 AG 1/4"



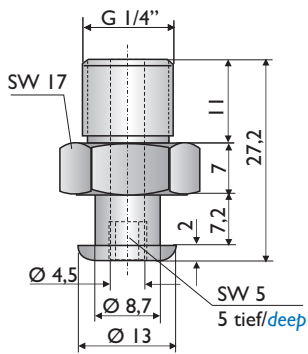
Art. No.: 00 08 81
 AG 1/4"



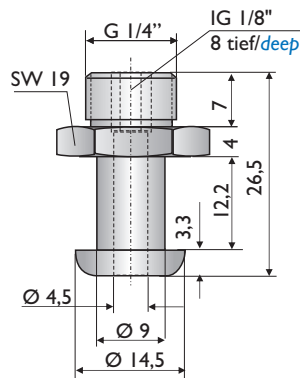
Art. No.: AT.0182.O
 AT.0182.U



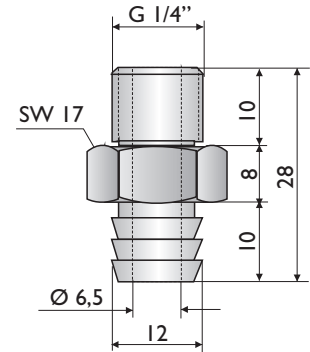
Art. No.: AT.0010
 AG 1/4"



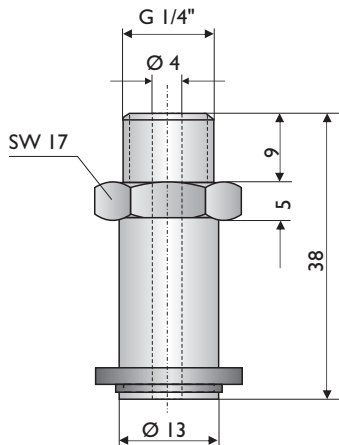
Art. No.: AT.0017
 AG 1/4"



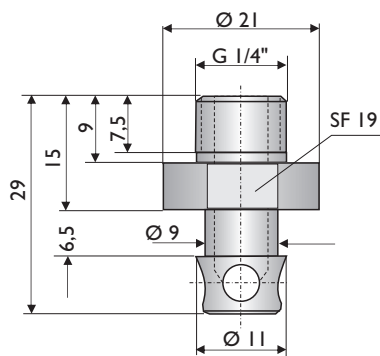
Art. No.: AT.0603
 AG 1/4"



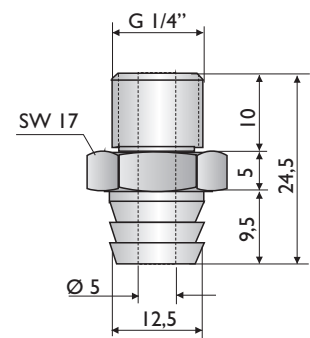
Art. No.: AT.0609
 AG 1/4"



Art. No.: AT.0850
 AG 1/4"



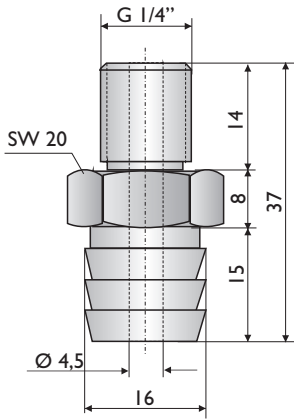
Art. No.: AT.0451
 AG 1/4"



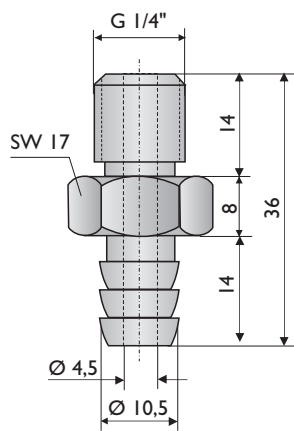
Änderungen im Sinne des technischen Fortschrittes vorbehalten. Copyright by MF Automation.

Specifications and design subject to change without notice. Infringements will be prosecuted

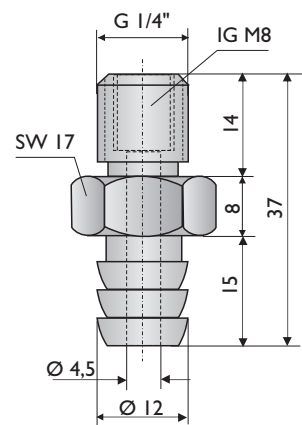
Art. No.: 00 08 09
 AG 1/4"



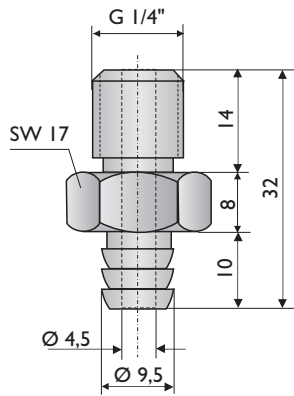
Art. No.: 00 08 10
 AG 1/4"



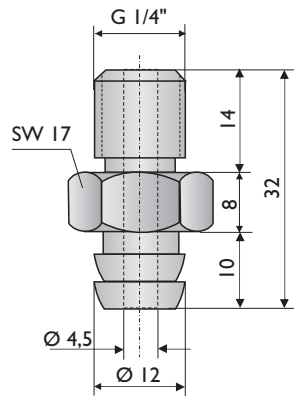
Art. No.: 00 08 15
 AG 1/4"



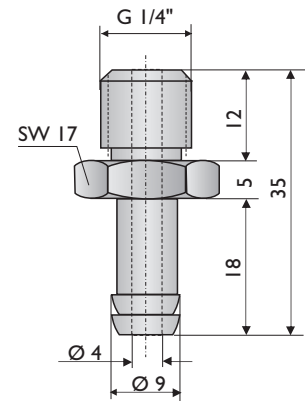
Art. No.: 00 08 18
 AG 1/4"



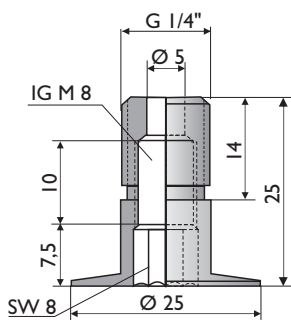
Art. No.: 00 08 20
 AG 1/4"



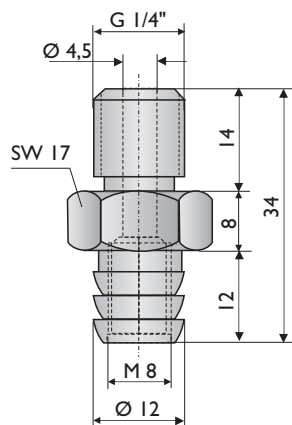
Art. No.: 00 08 19
 AG 1/4"



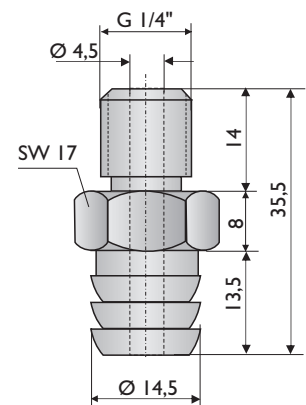
Art. No.: 00 08 22
 AG 1/4"



Art. No.: 00 08 24
 AG 1/4"



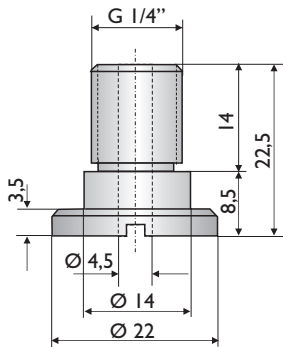
Art. No.: 00 08 26
 AG 1/4"



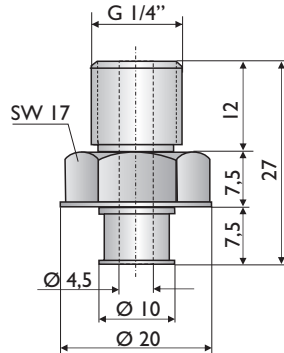
Änderungen im Sinne des technischen Fortschrittes vorbehalten. Copyright by MF Automation.

Specifications and design subject to change without notice. Infringements will be prosecuted

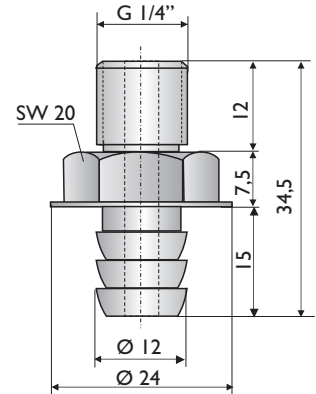
Art. No.: 00 08 81
 AG 1/4"



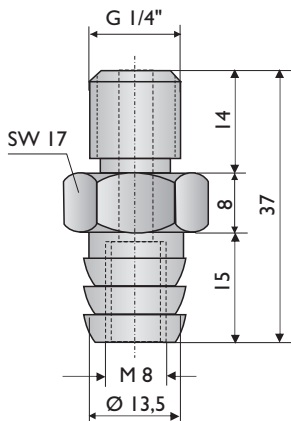
Art. No.: 00 08 135
 AG 1/4"



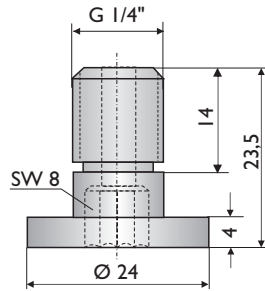
Art. No.: 00 08 148
 AG 1/4"



Art. No.: 00 08 172
 AG 1/4"

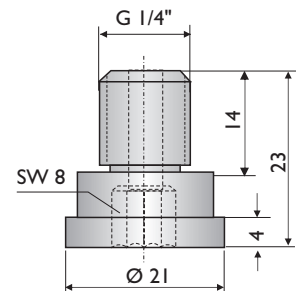


Art. No.: 00 08 248
 AG 1/4"

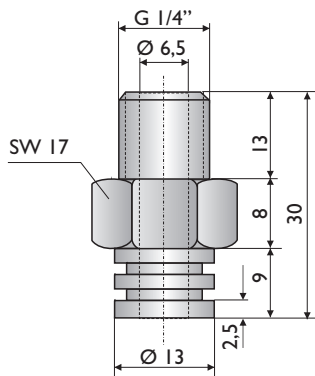


Art. No.: 00 08 250
 AG 1/4"

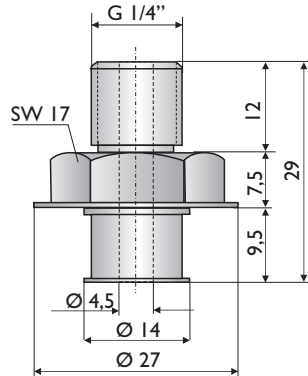
für Spezialsauger/for special suction cup
 Art. No. 02 32 30



Art. No.: AT.0712
 AG 1/4"



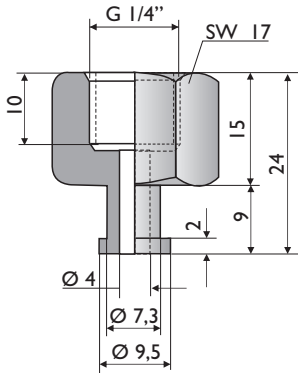
Art. No.: 00 08 142
 AG 1/4"



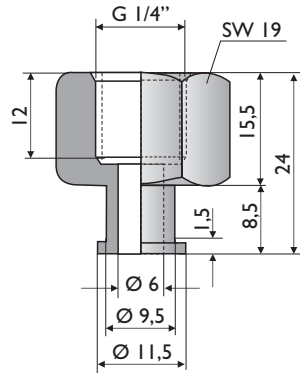
Änderungen im Sinne des technischen Fortschrittes vorbehalten. Copyright by MF Automation.

Specifications and design subject to change without notice. Infringements will be prosecuted

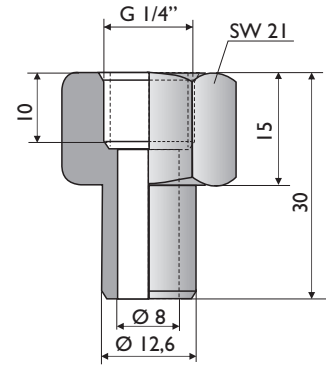
Art. No.: AT.0275
 IG 1/4"



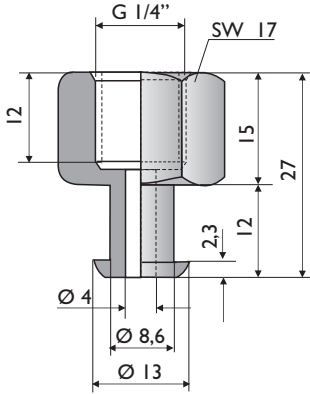
Art. No.: AT.0038
 IG 1/4"



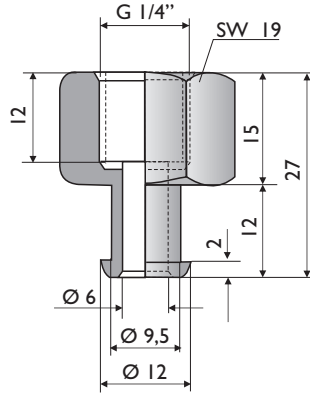
Art. No.: AT.0031
 IG 1/4"



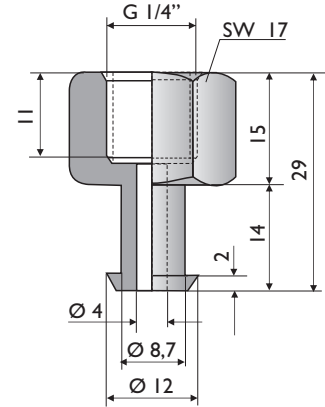
Art. No.: AT.0248
 IG 1/4"



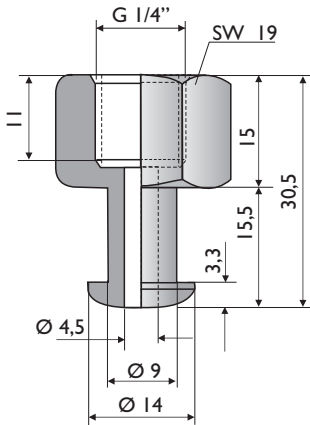
Art. No.: AT.0324
 IG 1/4"



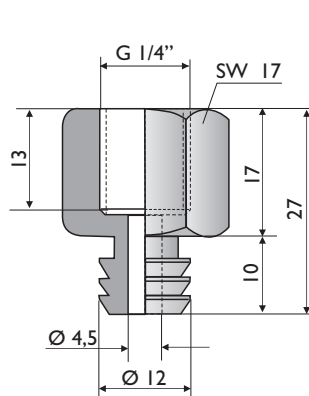
Art. No.: AT.0192
 IG 1/4"



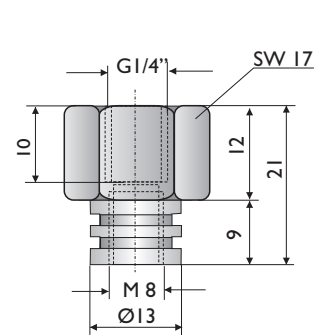
Art. No.: AT.0282
 IG 1/4"



Art. No.: 00 08 21
 IG 1/4"



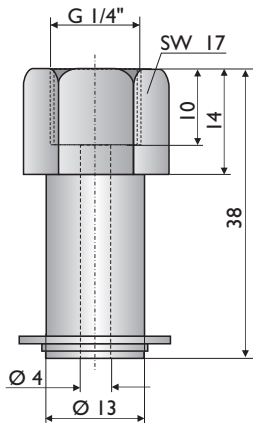
Art. No.: AT.0098
 IG 1/4"



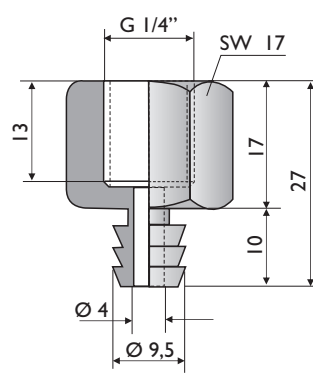
Änderungen im Sinne des technischen Fortschrittes vorbehalten. Copyright by MF Automation.

Specifications and design subject to change without notice. Infringements will be prosecuted

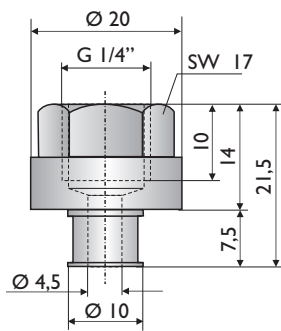
Art. No.: AT.0610
 IG 1/4"



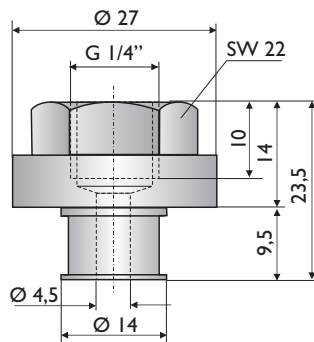
Art. No.: 00 08 50
 IG 1/4"



Art. No.: 00 08 134
 IG 1/4"



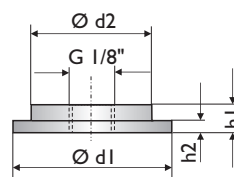
Art. No.: 00 08 141
 IG 1/4"



Änderungen im Sinne des technischen Fortschrittes vorbehalten. Copyright by MF Automation.

Spezial-Anschlusssteile / *Special Fittings*

| Art. No. | Ø d1 | Ø d2 | h1 | h2 | für Sauger/ <i>for suction cups</i> |
|----------|------|------|-----|-----|--|
| AT.0233 | 17,5 | 14,9 | 6,0 | 3,1 | F0.020.027 + F0.025.024 |
| AT.0234 | 20,5 | 17,5 | 6,0 | 3,0 | F0.030.016 + F0.035.008 |
| AT.0235 | 28,5 | 25,0 | 5,5 | 2,1 | F0.040.018 + F0.050.010 |



| |
|------------------|
| Art. No.: Ø |
| AT.0259 = Ø 6 |
| AT.0262 = G 1/8" |
| AT.0284 = G 1/4" |

für Vakuumsauger/*for vacuum suction cup*
 F0.065.003

Art. No.: AT.0179
 IG 1/4"

für Vakuumsauger/*for vacuum suction cup*
 Art. No. F0.070.001

Art. No.: AT.0180
 IG 1/4"

für Vakuumsauger/*for vacuum suction cup*
 Art. No. F0.100.001

Art. No.: AT.0335
 IG 1/2", Material Alu

für Vakuumsauger/*for vacuum suction cup*
 Art. No. F0.200.001

Änderungen im Sinne des technischen Fortschrittes vorbehalten. Copyright by MF Automation.

Specifications and design subject to change without notice. Infringements will be prosecuted